



**Package Contents:**

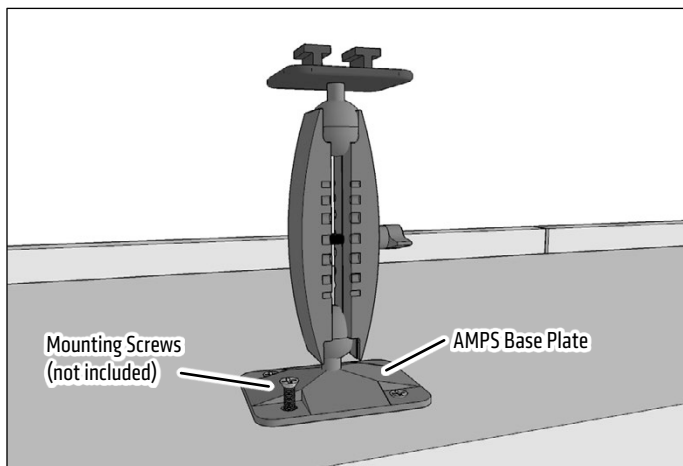
**RMAMPS2T** – Robust Mount Series AMPS Mount with Dual-T Head

**SM060-2** - Slim-Grip® Ultra™ Universal Smartphone and Midsize Tablet Holder

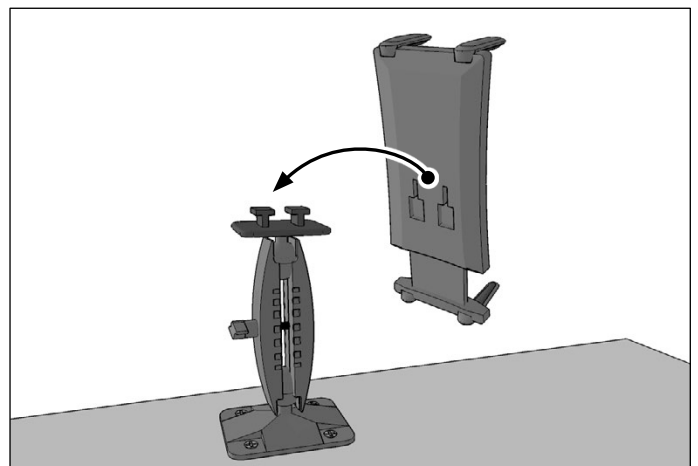
**IMPORTANT:**

Select the appropriate size support legs and install to holder. For large smartphones, midsize tablets, or devices with cases, use included long support legs.

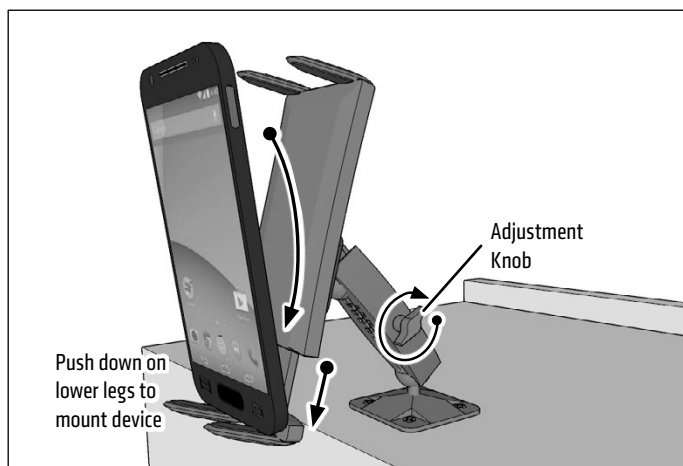
- 1 Attach the pedestal to the mounting surface through the AMPS base plate. Choose the screws (not included) that will work best on the chosen mounting surface.



- 2 Attach Slim-Grip Ultra holder by sliding the Dual T-Tabs on the pedestal head into the Dual T-Slots of the holder.



- 3 Insert smartphone or midsize tablet by placing it on the two lower legs and pushing down on the spring-loaded bottom of the holder. Loosen adjustment knob to adjust position & angle. Retighten to set.



**ARKON**  
RESOURCES INC.

The Mobile Mounting Specialists™

Consumer Hotline:

USA (800) 841-0884

INT'L (626) 254-9005

Monday - Friday 9 am - 5 pm, PST

[www.arkon.com](http://www.arkon.com)

Arcadia, CA 91006 USA

Designed in USA | Made in Taiwan

© Copyright 2017 Arkon Resources, Inc.