

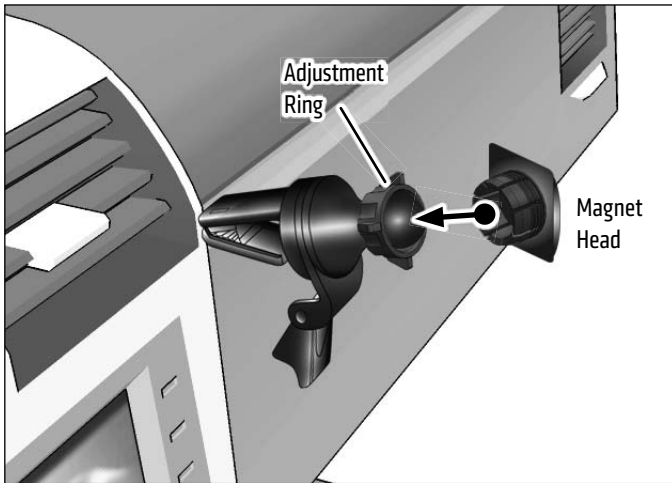


Package Contents:

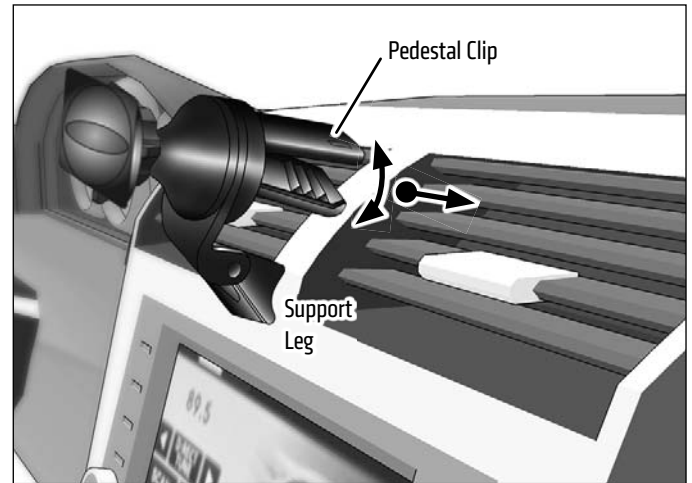
- (1) GN057 - Removable 17mm Ball Air Vent Mount
- (1) SP-MAGKIT - Magnet Head with Adjustment Ring and Adhesive Metal Plates

NOTE: Not compatible with round air vent louvers.

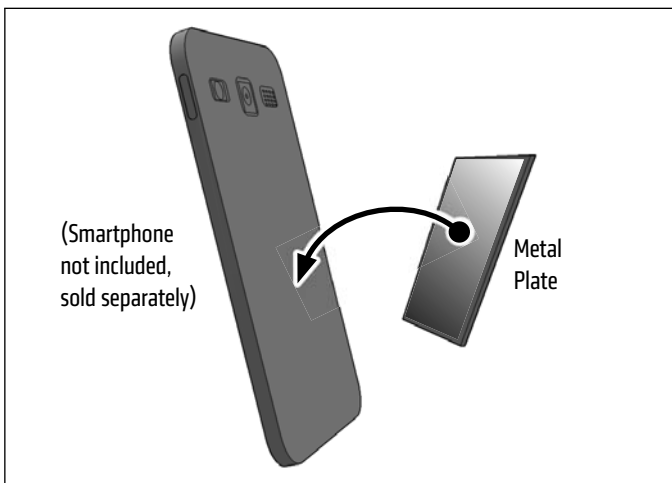
- 1** To attach magnet head to the mount, slide ring over 17mm ball. Adjust angle and tighten adjustment ring to secure.



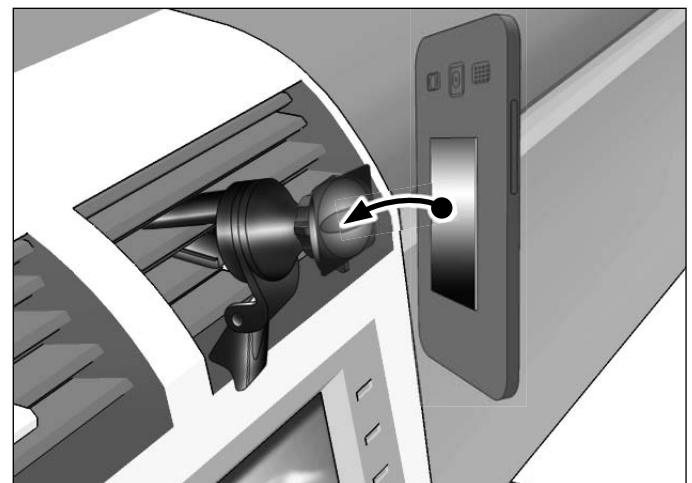
- 2** To attach mount, squeeze clip to open and insert into air vent louvers. Adjust lower support leg.



- 3** Remove paper backing of adhesive metal plate. Firmly press the adhesive side to clean, back surface of your smartphone or case.



- 4** Place metal plate on the smartphone in contact with the magnet head on the mount to attach. Rotate or adjust angle as needed.



! Safety Precautions
 Arkon is not responsible for any damages caused to your vehicle, your device, or yourself due to the installation or use of this mount.

ARKON
RESOURCES INC. The Mobile Mounting Specialists™

Consumer Hotline:
 USA (800) 841-0884
 INT'L (626) 254-9005
 Monday - Friday 9am - 5pm, PST

www.arkon.com
 Arcadia, CA 91006 USA
 Designed in USA | Made in Taiwan
 © Copyright 2014 Arkon Resources, Inc.