

**Package Contents:**

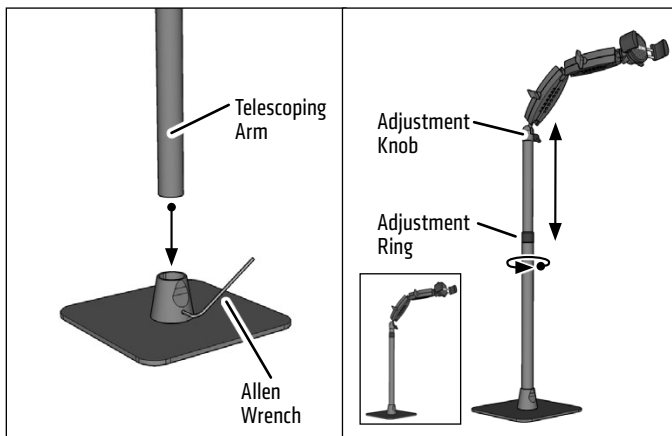
- (1) RV001WR-B – RoadVise™ Universal Smartphone Holder
- (1) HD008 – Heavy-Duty Mounting Pedestal with Weighted Base & Telescoping Arm
- (1) SPHD8L29 – Extra-Long Shaft for HD008 Heavy-Duty Tablet Holder
- (3) SP-RM200 – Robust Mount Series Shaft
- (1) SP20MM25 – 20mm to 25mm Adapter
- (2) SP25MM25 – 25mm to 25mm Adapter
- (1) SP25MM17 – 25mm to 17mm Adapter
- (1) SP25MMCAM – 25mm to 1/4" - 20 Camera Bolt Adapter \*Optional\*

Arm extends upward from 17 inches to 29 inches.

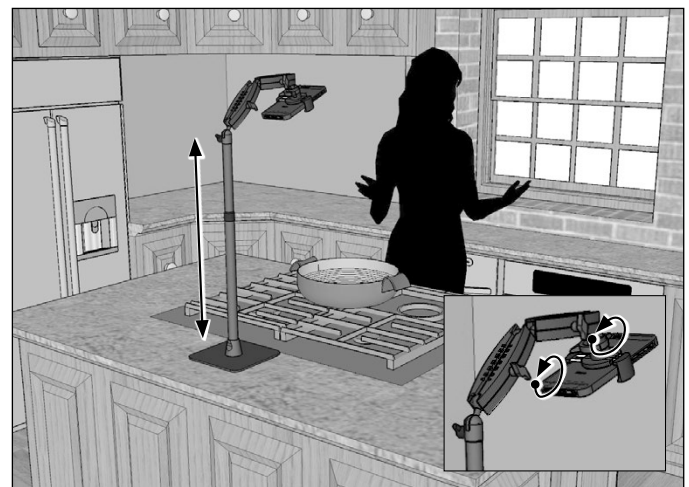
**Compatibility:** Fits smartphones with cases weighing up to 2 pounds and measuring up to 4" wide.

**IMPORTANT:** Do not overtighten ring. Overtightening ring may damage threads on holder and also make it difficult to adjust holder.

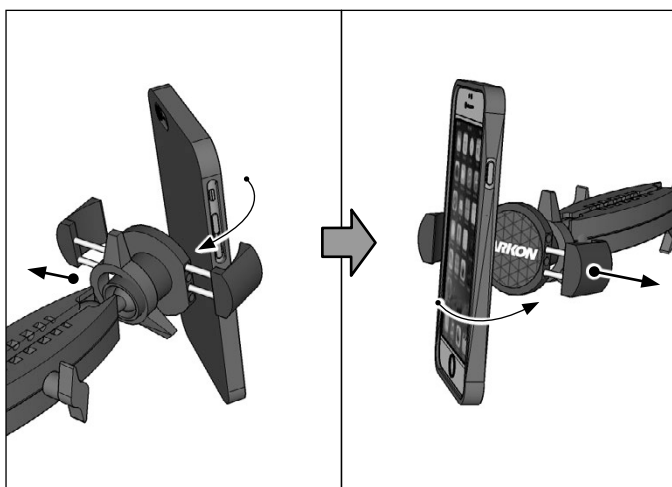
- 1** Insert telescoping arm tube into weighted base. Tighten base lock to secure with included allen wrench. Adjust the height and angle of the pedestal by loosening the adjustment ring and the adjustment knob. Retighten to set.



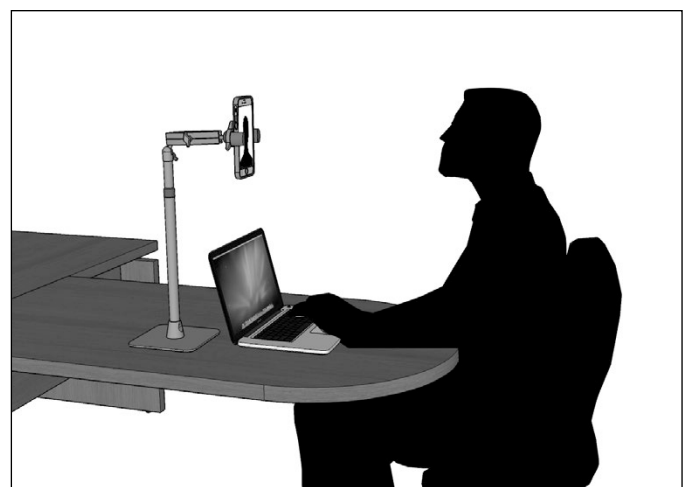
- 2** Shafts can be adjusted for scoping cooking or crafts on a table by unscrewing the knob to loosen.



- 3** Using two hands, insert phone into the holder by pushing the device into one of the spring-loaded legs. Expand the other leg and fully insert device until it lays flat against the blue rubber pad.



- 4** For eye-level use, the stand can be shortened vertically and one shaft can easily be removed.



**! Safety Precautions**

Arkon is not responsible for any damages caused to your device or yourself due to the installation or use of this stand.

**ARKON**  
RESOURCES INC.

The Mobile Mounting Specialists™

Consumer Hotline:

USA (800) 841-0884

INT'L (626) 254-9005

Monday - Friday 9 am - 5 pm, PST

www.arkon.com

Arcadia, CA 91006 USA

Designed in USA | Made in Taiwan and USA

© Copyright 2017 Arkon Resources, Inc.