

TTSE121 | Lighter Socket Mount with Power Dongle for TomTom Start™ & Ease™



Package Contents:

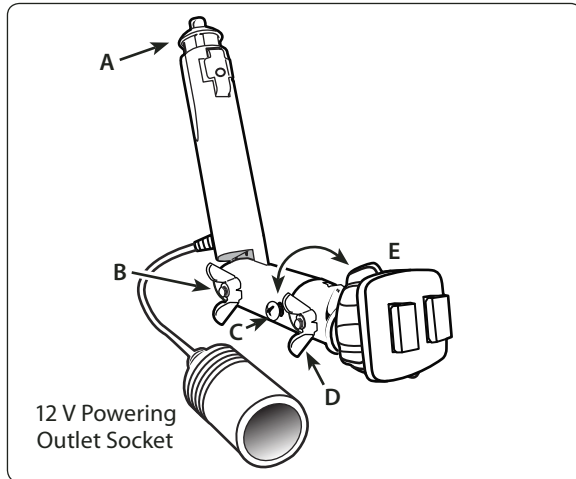
- (1) GN097-2 - 12V - 24V / Lighter socket mount with power dongle
- (1) APTSE - Adapter plate for TomTom Start™ and Ease™



Do not place mount in or near an air bag deployment zone or where it will obstruct view of the road.

Mount Installation Instructions

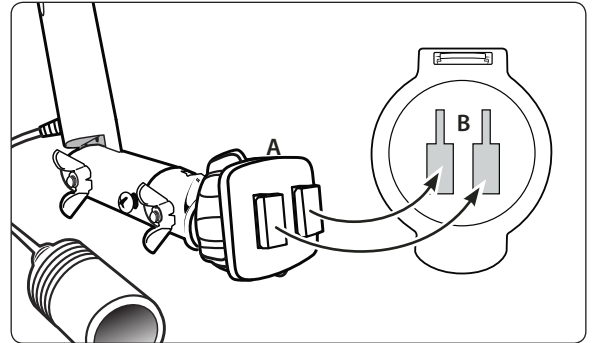
- Step 1. Insert the DC Power plug (A) completely into the vehicle's 12V-24V / lighter socket.
- Step 2. Adjust the angle of the pedestal arm by tightening the wing nut (B) to the desired placement angle.



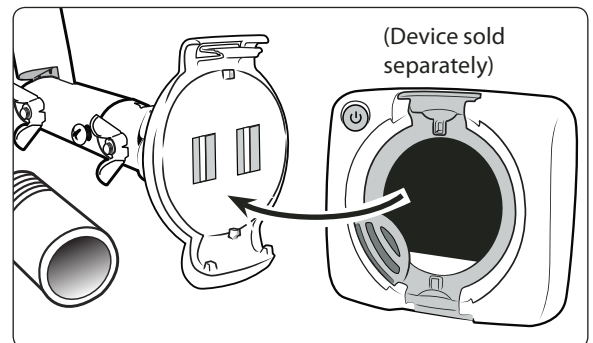
- Step 3. If necessary, adjust the rotation of the mounting head by tightening the screw (C) with a screwdriver.
- Step 4. Adjust the angle of the 17mm ball head by tightening the wing nut (D) to the desired angle.
- Step 5. Adjust the angle of the pedestal head by tightening the adjustment ring (E).

ATTSE Adapter Plate Attachment

- Step 1. Attach the adapter plate to the mount by inserting the dual-T tabs of the mount (A) into the dual-T slots on the adapter plate (B).



- Step 2. While holding the mounted adapter plate, gently insert the TomTom device (not included, sold separately) into the adapter plate until an audible click is heard.



Safety Precautions

Do not install Arkon products over an air bag cover or within the air bag deployment zone. Arkon Resources, Inc. assumes no responsibility of liability for injury or death as a result of car crashes and/or air bag deployment.

Arkon is not responsible for any damages caused to your car, your device, or yourself due to the installation or use of this pedestal mount.

ARKON
RESOURCES INC.

The Mobile Mounting Specialists™

Consumer Hotline:

USA (800) 841-0884

INT'L (626) 254-9005

Monday - Friday 9am - 5pm, PST

www.arkon.com

Arcadia, CA 91006 USA

Designed in USA | Made in China & Taiwan

© Copyright 2010 Arkon Resources, Inc.