

# TTOXL128 | 1" Multi Angle Dash or Console Mount for TomTom® One XL



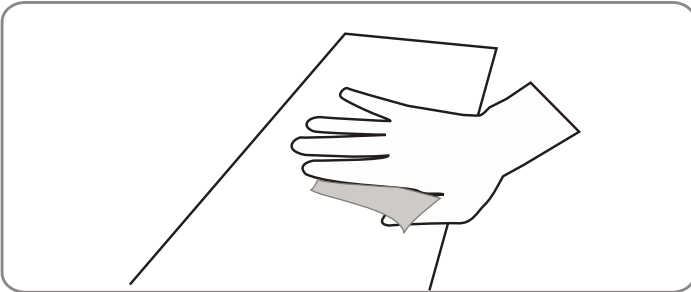
CM048-2  
(Dual T-tab Pedestal)

APTTOXL  
(Adapter Plate)

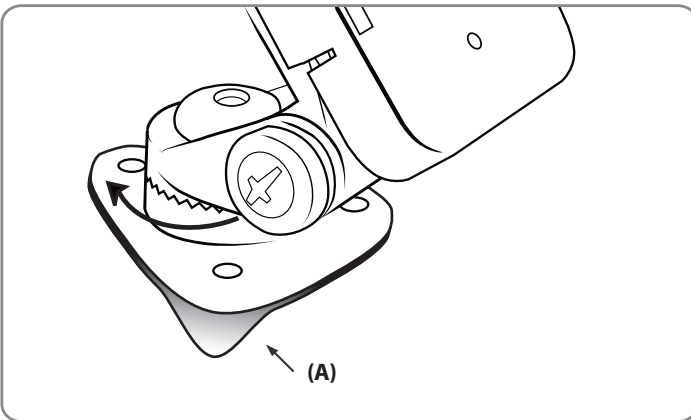
## Package includes:

- (1) CM048-2 - 1" Multi-angle Dash or Console Mount
- (1) APTTOXL - Adapter Plate (dual T-slot to TomTom One XL slide in pattern)
- (3) Self-tapping screws

## Dash or Console Adhesive Mounting



- Step 1. Find a safe location on the dash or console to mount the pedestal. Make sure the area is clean and dry. Use the included alcohol pad to clean the mounting surface.



- Step 2. Remove the adhesive backing (A) under the triangular pedestal and firmly press into place.
- Step 3. After adhesive has bonded at room temperature (approx. 72F), allow 24 hrs prior to use for best results.
- Step 4. Adjust the angle of the pedestal head by firmly holding the base and rotating to the desired angle.

## Dash or Console screw mounting installation (Optional)

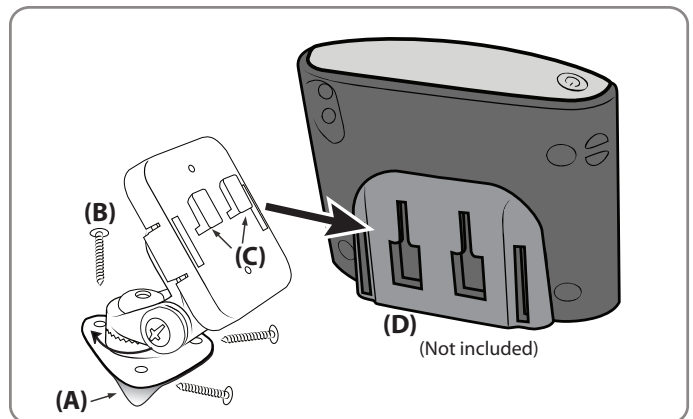


### Safety Precautions

Drilling onto the dash, floor, or console will permanently damage the vehicle. Use caution and consult a mobile install professional to avoid drilling into the gas tank, electrical system or other highly sensitive vehicle components.

Arkon Resources, Inc. is not responsible for any damages caused to your car or yourself due to the installation of the pedestal mount.

- Step 1. Find a safe location on the dash or console to mount the pedestal. Make sure the area is clean and dry. Use the included alcohol pad to clean the mounting surface if necessary. Remove the adhesive backing (A) under the triangular pedestal and firmly press into place.
- Step 2. Using a screwdriver, tighten the 3 screws (B) through the pedestal base into the mounting surface.
- Step 3. Adjust the angle of the pedestal head by firmly holding the base and rotating to the desired angle.
- Step 4. Attach the device cradle (sold separately) to the pedestal by inserting the dual T-tabs of the pedestal (C) into the T-slots of the cradle (D).



### Safety Precautions

Do not install Arkon products over an air bag cover or within the air bag deployment zone. Arkon Resources, Inc. assumes no responsibility of liability for injury or death as a result of car crashes and/or air bag deployment.

Arkon Resources, Inc. is not responsible for any damages caused to your air vent louvers, car, device, or yourself as a result of the installation or use of this mount.

**ARKON**  
RESOURCES INC.

The Mobile Mounting Specialists™

Consumer Hotline:  
(USA) (800) 841-0884  
(INT'L) (626) 254-9005  
Mon-Fri. 9am-5pm, PST

[www.arkon.com](http://www.arkon.com)  
Arcadia, CA 91006 USA  
Made in Taiwan

© Copyright 2007 Arkon Resources, Inc.