

TTOXL123 | Cup Holder Mount for TomTom ONE XL and ONE XL•S GPS



Package Contents:

- (1) CM033-2 - 5" Cup holder pedestal mount
- (1) APTTOXL - Adapter plate for TomTom ONE XL and XL•S (1st Edition)

Note: mount may not work with adjustable, "pop out" cup holders or oversized cup holder openings found in full-size pickup trucks.

TomTom Device Compatibility:

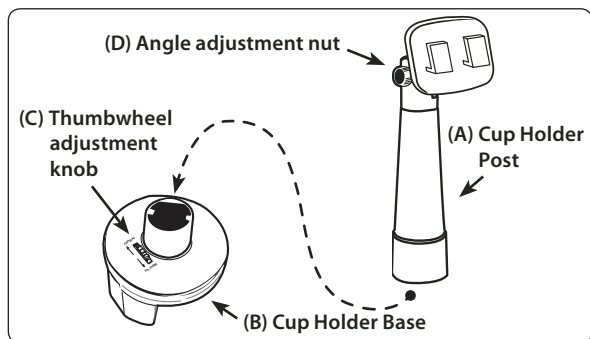
- For use with TomTom ONE XL and XL•S 1st Edition
- APTTOXL adapter plate **NOT** compatible with TomTom ONE XL 30 Series (also known as TomTom ONE XL and XL•S 2nd Edition)

TomTom and ONE are product names, trademarks, or registered trademarks of TomTom International BV. Arkon Resources, Inc. is not affiliated with TomTom International BV.

! Do not place mount in or near an air bag deployment zone or where it will obstruct view of the road.

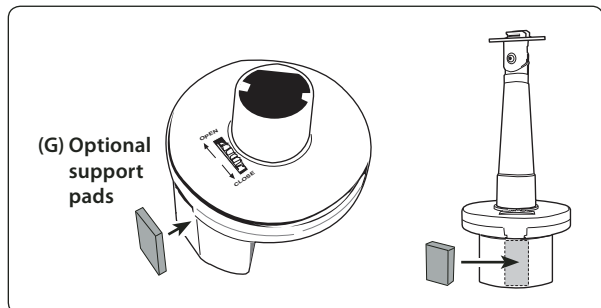
Cup Holder Mount Installation

Step 1. Connect the post (A) to the cup holder base (B) by aligning the groove on the base to the ridge inside the bottom of the post.



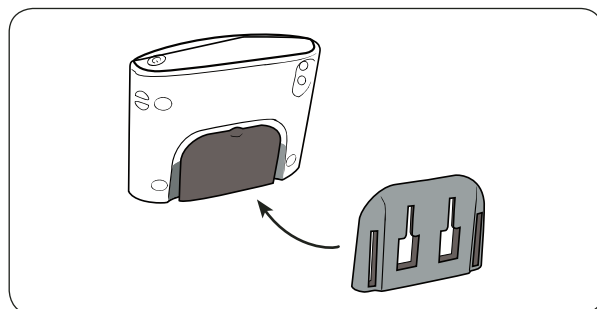
Step 2. Place the universal cup holder mount into the designated cup holder in the vehicle. Adjust the thumbwheel adjuster (C) to expand the cup holder prongs to fit in the cup holder.

Step 3. For oversized cup holder openings or the adjustable "pop out" cup holders use the optional self-adhesive side support pads (G). Install the pads by removing the adhesive backing and placing it on the flat surface side of the cup holder support leg.



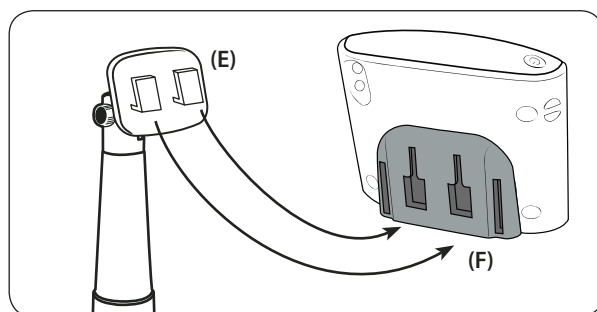
TomTom ONE XL and ONE XL•S Plate Installation

Step 1. Slide the adapter plate up into the grooves on the back of the TomTom ONE XL or ONE XL•S device.



TomTom ONE XL and ONE XL•S Device Attachment

Step 1. Attach the device cradle to the pedestal by inserting the dual T-Tabs of the pedestal (E) into the T-slots of the adapter plate (F).



! **Safety Precautions**
Do not install Arkon products over an air bag cover or within the air bag deployment zone. Arkon Resources, Inc. assumes no responsibility of liability for injury or death as a result of car crashes and/or air bag deployment.
Arkon is not responsible for any damages caused to your car, your device, or yourself due to the installation or use of this pedestal mount.

ARKON
RESOURCES INC. *The Mobile Mounting Specialists™*

Consumer Hotline:
USA (800) 841-0884
INT'L (626) 254-9005
Monday - Friday 9 am - 5 pm, PST

www.arkon.com
Arcadia, CA 91006 USA
Designed in USA | Made in Taiwan
© Copyright 2008 Arkon Resources, Inc.