

# TTO123 | Cup Holder Mount for TomTom ONE



## Package Contents:

- (1) CM033-2 - 5" Cup holder pedestal mount
- (1) APTTO - Adapter plate for TomTom ONE (1st, 2nd, and 3rd Editions)

**Note:** mount may not work with adjustable, "pop out" cup holders or oversize cup holder openings found in full-size pickup trucks.

## TomTom Device Compatibility:

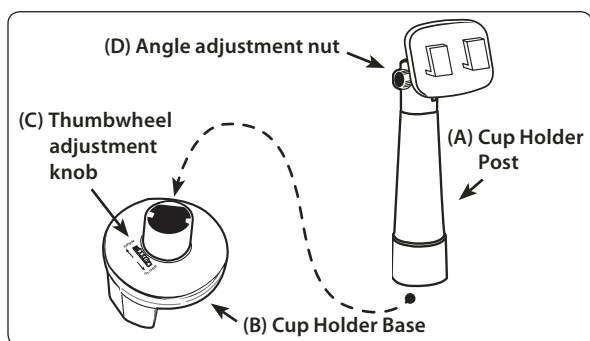
- For use with TomTom ONE 1st, 2nd, and 3rd Editions
- APTTO adapter plate **NOT** compatible with TomTom ONE 30 Series (also known as TomTom ONE 4th Edition)

TomTom and ONE are product names, trademarks, or registered trademarks of TomTom International BV. Arkon Resources, Inc. is not affiliated with TomTom International BV.

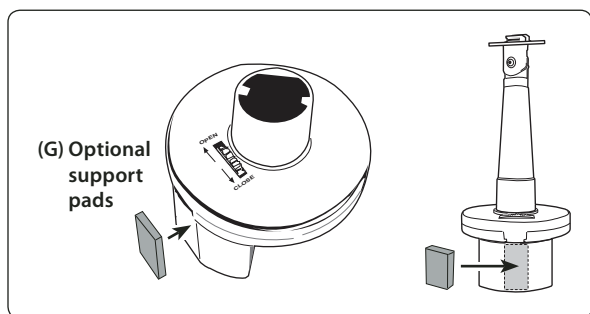
**!** Do not place mount in or near an air bag deployment zone or where it will obstruct view of the road.

## Cup Holder Mount Installation

- Step 1. Connect the post (A) to the cup holder base (B) by aligning the groove on the base to the ridge inside the bottom of the post.

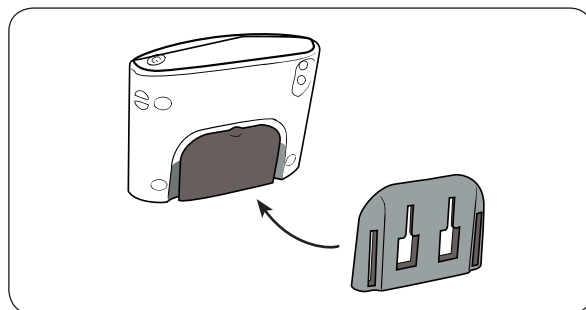


- Step 2. Place the universal cup holder mount into the vehicle's cup holder. Adjust the thumbwheel adjuster (C) to expand or close the cup holder prongs to fit in the cup holder.
- Step 3. For oversize cup holder openings or the adjustable "pop out" cup holders use the optional self-adhesive side support pads (G). Install the pads by removing the adhesive backing and placing it on the flat surface side of the cup holder support leg.



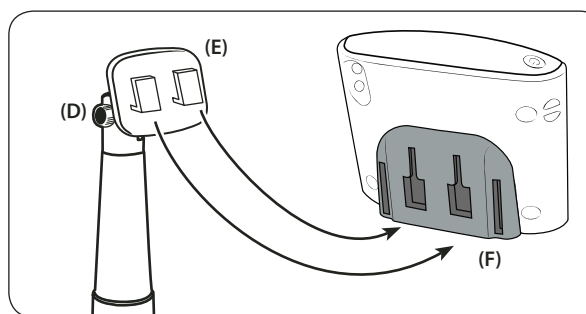
## TomTom ONE Adapter Plate Installation

- Step 1. Slide the adapter plate up into the grooves on the back of the TomTom ONE device.



## TomTom ONE Pedestal Adjustment and Device Attachment

- Step 1. Adjust the lateral angle of the pedestal head by tightening the angle adjustment nut (D).
- Step 2. Attach the device cradle to the pedestal by inserting the dual T-Tabs of the pedestal (E) into the T-slots of the adapter plate (F).



**!** **Safety Precautions**  
Do not install Arkon products over an air bag cover or within the air bag deployment zone. Arkon Resources, Inc. assumes no responsibility of liability for injury or death as a result of car crashes and /or air bag deployment.

Arkon is not responsible for any damages caused to your car, your device, or yourself due to the installation or use of this pedestal mount.

**ARKON**  
RESOURCES INC. *The Mobile Mounting Specialists™*

Consumer Hotline:  
USA (800) 841-0884  
INT'L (626) 254-9005  
Monday - Friday 9 am - 5 pm, PST

[www.arkon.com](http://www.arkon.com)  
Arcadia, CA 91006 USA  
Designed in USA | Made in Taiwan  
© Copyright 2008 Arkon Resources, Inc.