

TTGO125 | Floor or Console Mount for TomTom GO GPS



Package Contents:

- (1) CM088-TS-2 - 15" Flexible steel gooseneck floor or console mount
- Includes: (1) Seat Bolt Bracket
 - (1) Floor / Console Bracket
 - (1) Flexible Steel Shaft with Plastic Tubing
 - (4) Screws and (4) Plastic Caps
- (1) APTTGO - Adapter plate for TomTom GO 520, 530, 720, 730, 920, 920T, and 930 models

TomTom Device Compatibility:

- For use with TomTom GO - 520, 530, 720, 730, 920, 920T, and 930 models

TomTom, ONE, and GO are product names, trademarks, or registered trademarks of TomTom International BV. Arkon Resources, Inc. is not affiliated with TomTom International BV.

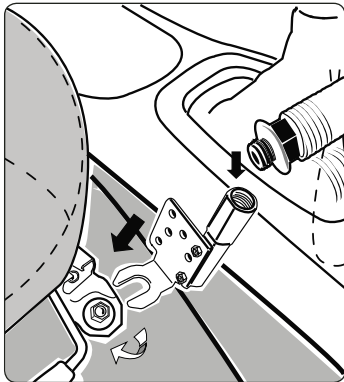
Notes:

1. Tool for Seat Bolt mounting - socket wrench
2. Tools for optional Floor or Console mounting - drill and screwdriver

Passenger Seat Bolt Mounting

For a simple mount that can be easily moved to another vehicle, install using the passenger seat bolt.

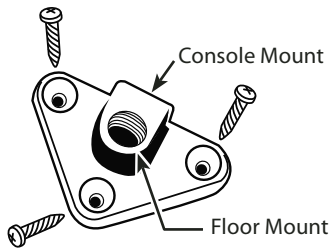
- Step 1. Screw the flexible steel shaft into the Seat Bolt Bracket.
- Step 2. With a socket wrench, loosen the passenger seat bolt, insert the Seat Bolt Bracket, and retighten the seat bolt.



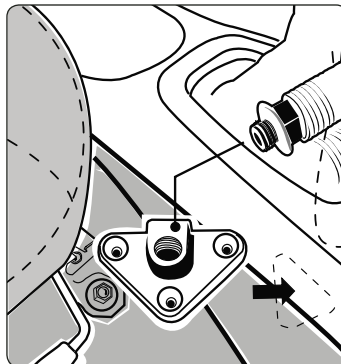
! Do not place mount in or near an air bag deployment zone or where it will obstruct view of the road.

Floor or Console Mounting

For a more permanent mount, connect the Floor / Console Mount Bracket to the floor or console. This will require drilling into your vehicle's interior surface.

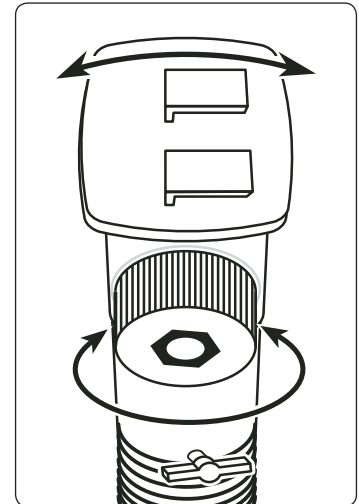


- Step 1. Position the Floor / Console Bracket and drill into the floor or console.
- Step 2. Attach the Floor / Console Bracket with screws and cover with plastic caps.
- Step 3. Screw the steel shaft into the Floor / Console Bracket.



Pedestal Head Adjustments

- Step 1. Adjust the steel shaft by bending with both hands to the desired location of the male dual T head.
- Step 2. Use the adjustment knob and wing nut on the pedestal head to swivel or rotate the head position if necessary.



Adapter Plate Installation - continued on other side

! **Safety Precautions**
Do not install Arkon products over an air bag cover or within the air bag deployment zone. Arkon Resources, Inc. assumes no responsibility of liability for injury or death as a result of car crashes and /or air bag deployment.
Arkon is not responsible for any damages caused to your car, your device, or yourself due to the installation or use of this pedestal mount.

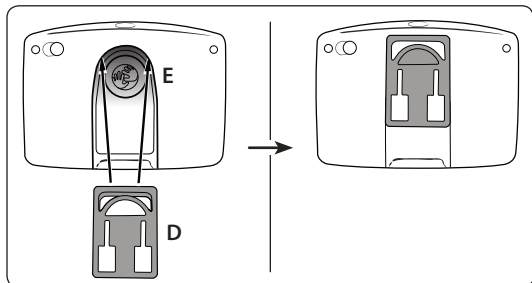
ARKON
RESOURCES INC. The Mobile Mounting Specialists™

Consumer Hotline:
USA (800) 841-0884
INT'L (626) 254-9005
Monday - Friday 9am - 5pm, PST

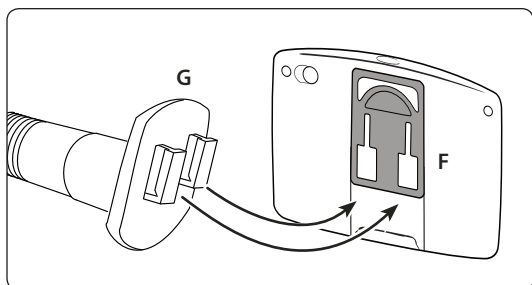
www.arkon.com
Arcadia, CA 91006 USA
Designed in USA | Made in Taiwan
© Copyright 2008 Arkon Resources, Inc.

TomTom GO Adapter Plate and Pedestal Attachment Instructions

Step 1. Slide the adapter plate (D) up into the grooves on the back of the TomTom GO 520, 530, 720, 730, 920, 920T, or 930 device (E).



Step 2. Attach the device to the pedestal by inserting the dual T-slots on the adapter plate (F) to the dual T-tabs on the mount head (G).



! Do not twist the adapter plate or TomTom device while mounted on top of the pedestal to adjust the steel shaft as this can break the dual T-grooves.

! **Safety Precautions**
Do not install Arkon products over an air bag cover or within the air bag deployment zone. Arkon Resources, Inc. assumes no responsibility of liability for injury or death as a result of car crashes and/or air bag deployment.
Arkon is not responsible for any damages caused to your car, your device, or yourself due to the installation or use of this pedestal mount.

ARKON
RESOURCES INC. *The Mobile Mounting Specialists™*

Consumer Hotline:
USA (800) 841-0884
INT'L (626) 254-9005
Monday - Friday 9 am - 5 pm, PST

www.arkon.com
Arcadia, CA 91006 USA
Designed in USA | Made in Taiwan
© Copyright 2008 Arkon Resources, Inc.