

TTEP129-ST-RVC | Removable Swivel Air Vent Mount for TomTom® EasyPort™



CM047-ST2-RVC
Removable Air
Vent Mount



APTTEP
Adapter Plate
for EasyPort

Patent Pending

Package Contents:

- (1) CM047-ST2-RVC - Air vent mount
- (1) APTTEP - Adapter plate for TomTom EasyPort pattern

Compatible with:

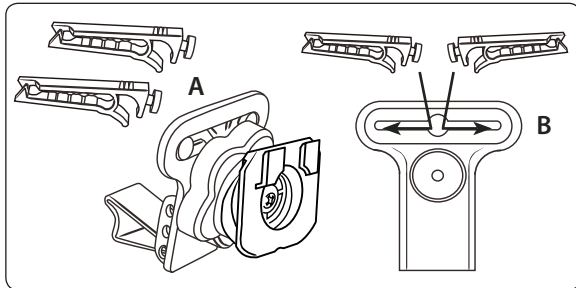
- TomTom ONE 130, TomTom ONE 130-S
- TomTom XL 330, TomTom XL 330-S
- TomTom ONE 22, ONE 22 Europe, ONE Regional (NEW)
- TomTom XL Europe 22, XL Europe 22 Traffic
- TomTom XL Regional, TomTom XL Regional Traffic

TomTom brand name and product names are trademarks, or registered trademarks of TomTom International NV. Arkon Resources, Inc. is not affiliated with TomTom International NV.

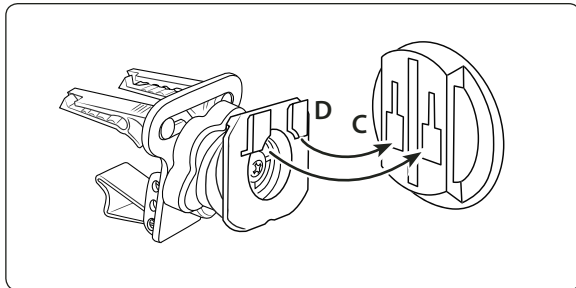
! Use caution when installing and removing the vent mount and adjusting the swivel movement to avoid damaging your air vents.

Air Vent Mount Assembly, Adapter Plate Connection, and Installation

- Step 1. Attach the vent mounting clips (A) to the back of the pedestal (B) with the vent clips positioned with the flat sides facing up.

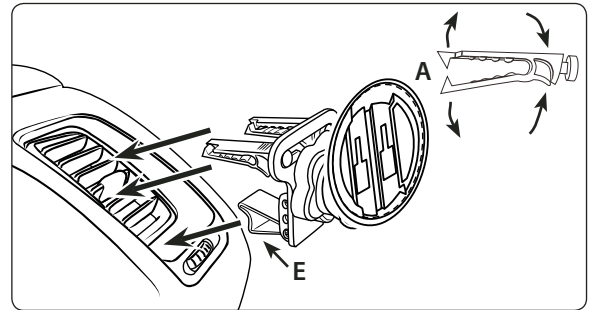


- Step 2. Connect the dual T-slots (C) on the back of the adapter plate to the dual T-tabs (D) on the air vent pedestal head.



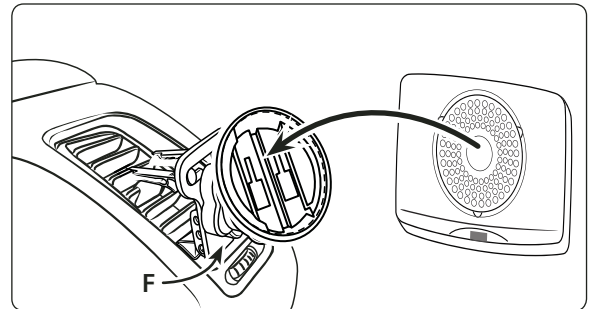
- Step 3. Pinch the vent mounting clips (A) so that the teeth open and gently insert vent pedestal into vent louvres until the mounting clips are attached to the fin/blade of the vent. Adjust the support leg (E) vertically until it rests firmly along the bottom of the vent or dash surface below the vent.

Continued on next column...



TomTom Device Insertion and Removal

- Step 1. While holding the mounted adapter plate, gently insert the device (not included, sold separately) into the adapter plate until an audible click is heard. The device can then be rotated into the desired viewing angle.



- Step 2. Adjust the lateral angle and the rotation of the pedestal head by loosening the swivel tightening ring (F).



Safety Precautions

Do not install Arkon products over an air bag cover or within the air bag deployment zone. Arkon Resources, Inc. assumes no responsibility of liability for injury or death as a result of car crashes and/or air bag deployment.

Arkon is not responsible for any damages caused to your car, your device, or yourself due to the installation or use of this pedestal mount.

ARKON
RESOURCES INC.

The Mobile Mounting Specialists™

Consumer Hotline:

USA (800) 841-0884

INT'L (626) 254-9005

Monday - Friday 9 am - 5 pm, PST

www.arkon.com

Arcadia, CA 91006 USA

Designed in USA | Made in China and Taiwan

© Copyright 2008 Arkon Resources, Inc.