

# TTEP121 | Lighter Socket Pedestal with Power Outlet for TomTom® EasyPort™



Patent Pending

## Package Contents:

- (1) CM097-2 - 12V / Lighter socket mount with power outlet
- (1) APTTEP - Adapter plate for TomTom EasyPort pattern

## Compatible with:

- TomTom ONE 130, TomTom ONE 130-S
- TomTom XL 330, TomTom XL 330-S
- TomTom ONE 22, ONE 22 Europe, ONE Regional (NEW)
- TomTom XL Europe 22, XL Europe 22 Traffic
- TomTom XL Regional, TomTom XL Regional Traffic

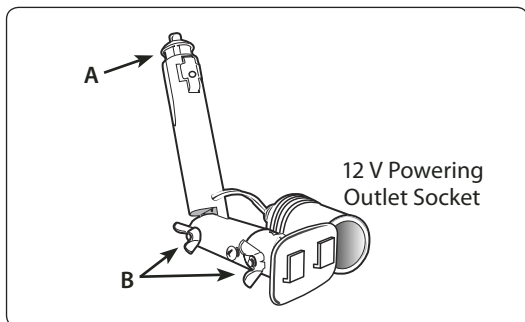


Do not place mount in or near an air bag deployment zone or where it will obstruct view of the road.

## Mount Installation Instructions

- Step 1. Insert the DC Power plug (A) completely into the vehicle's 12V / lighter socket.

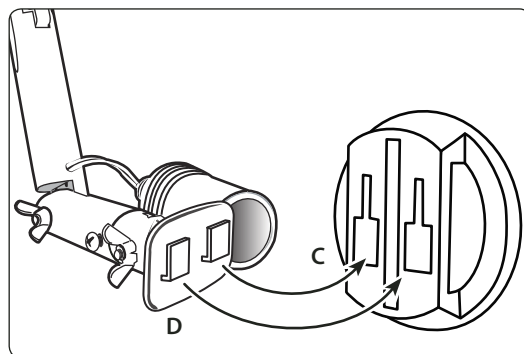
Adjust the angle of the pedestal arm by tightening the wing nuts (B) to the desired placement angle.



TomTom brand name and product names are trademarks, or registered trademarks of TomTom International NV. Arkon Resources, Inc. is not affiliated with TomTom International NV.

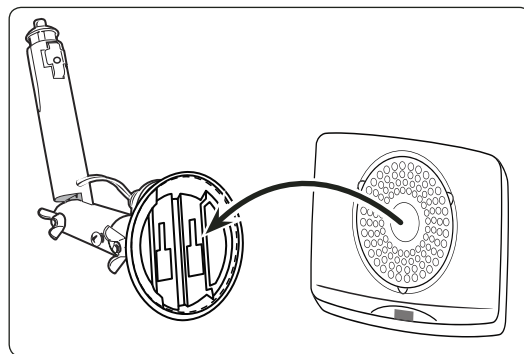
## Connect Adapter Plate to Pedestal

- Step 1. Connect the dual T-slots (C) on the adapter plate to the dual T-tabs (D) on the lighter pedestal head.



## TomTom Device Insertion and Removal

- Step 1. While holding the mounted adapter plate, gently insert the device (not included, sold separately) into the adapter plate until an audible click is heard. The device can then be rotated into the desired viewing angle.



## Safety Precautions

Do not install Arkon products over an air bag cover or within the air bag deployment zone. Arkon Resources, Inc. assumes no responsibility of liability for injury or death as a result of car crashes and/or air bag deployment.

Arkon is not responsible for any damages caused to your car, your device, or yourself due to the installation or use of this pedestal mount.

**ARKON**  
RESOURCES INC.

The Mobile Mounting Specialists™

Consumer Hotline:

USA (800) 841-0884

INT'L (626) 254-9005

Monday - Friday 9am - 5pm, PST

[www.arkon.com](http://www.arkon.com)

Arcadia, CA 91006 USA

Designed in USA | Made in China and Taiwan

© Copyright 2008 Arkon Resources, Inc.