

# TAB-FSM | Flexible Universal Tablet Seat Bolt or Floor Mount



## Package Contents:

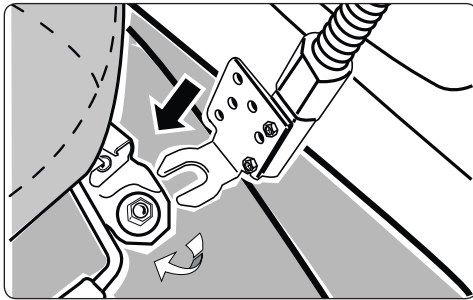
- (1) TAB001 - Universal Tablet Holder with (4) regular legs, (2) long legs
- (1) GN088-SBH - 18.5" Flexible aluminum floor or console mount
- Includes: (1) Seat Bolt Bracket, (1) Floor / Console Bracket, (4) Screws

**!** Do not place mount in or near an air bag deployment zone or where it will obstruct view of the road.

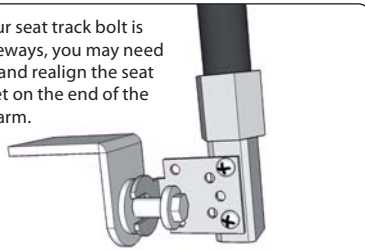
## 1 Passenger Seat Bolt Mounting

For an easy installation using basic tools, install using the passenger seat track bolt.

- Step 1. With a socket wrench, loosen the passenger seat track bolt, insert the seat track bolt bracket, and retighten the seat track bolt.



**Note:** If your seat track bolt is angled sideways, you may need to remove and realign the seat bolt bracket on the end of the mounting arm.



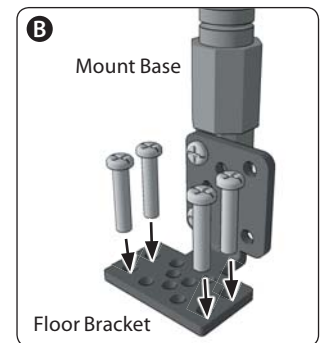
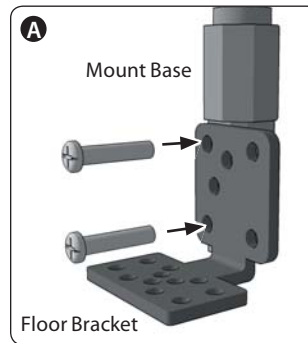
## 1 Alternative Floor or Console Mounting

For a more permanent mount, connect the floor / console mount bracket to the floor or console. This will require drilling into your vehicle's interior surface.

**!** Drilling into the dash, floor, or console could damage your vehicle. Use caution and consult a mobile install professional to avoid damaging sensitive vehicle components.

Fig. A Screw the mount bracket to the mount. Depending on your vehicle, you may need to change the orientation of the bracket.

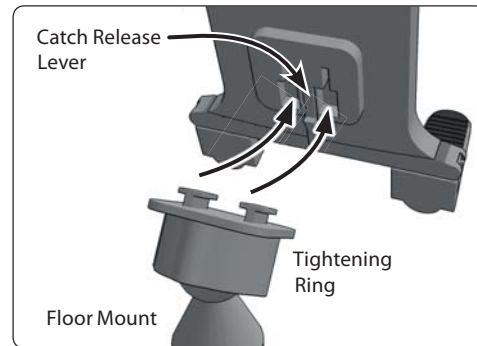
Fig. B Attach the Floor / Console Bracket with screws.



## 2 Attach Holder to Floor Mount Pedestal

Adjust the position of the floor mount arm by grasping with both hands and gently bending.

The end of the floor mount slides into the back of the holder. Depress the catch release lever and slide the mount toward the lever when you wish to remove the holder from the mounting arm.



## 3 Loading the Tablet

While securing holder with one hand, press the tablet down on the lower holder legs which are spring loaded. Slide the top of the device under the top support legs and gently release pressure for a snug fit. If necessary, you can use the different size legs provided.

## ! Safety Precautions

Do not install Arkon products over an air bag cover or within the air bag deployment zone. Arkon Resources, Inc. assumes no responsibility of liability for injury or death as a result of car crashes and /or air bag deployment.

Arkon is not responsible for any damages caused to your car, your device, or yourself due to the installation or use of this pedestal mount.

Rev. 082411

**ARKON**  
RESOURCES INC.

The Mobile Mounting Specialists™

Consumer Hotline:

USA (800) 841-0884

INT'L (626) 254-9005

Monday - Friday 9am - 5pm, PST

[www.arkon.com](http://www.arkon.com)

Arcadia, CA 91006 USA

Designed in USA | Made in Taiwan

© Copyright 2011 Arkon Resources, Inc.