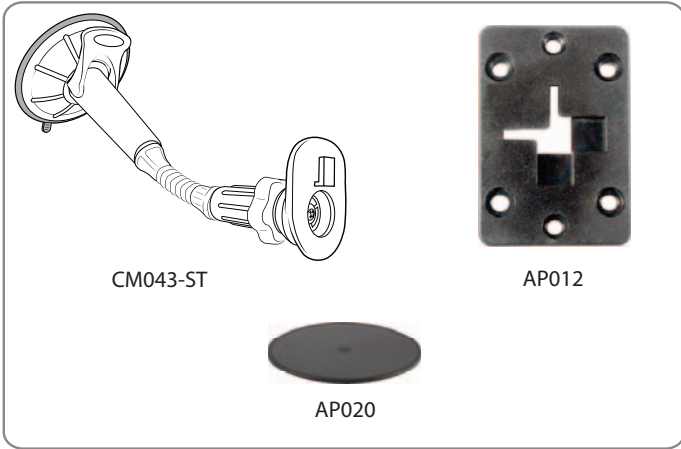
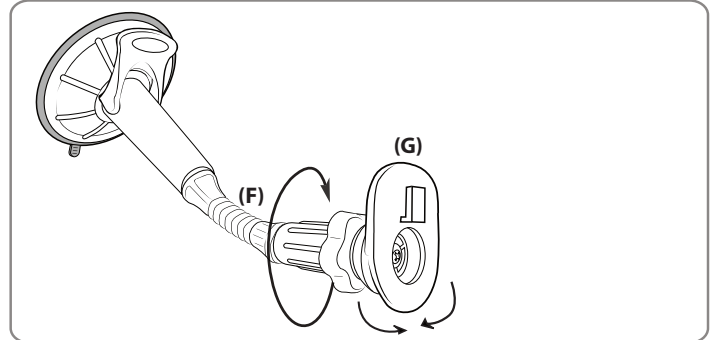


SR052-S | Sat-Mount™ 9" Windshield Suction Mount



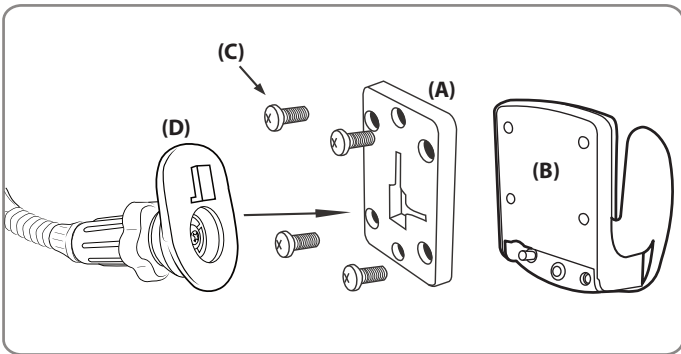
Pedestal Adjustment Instructions

- Step 1. Adjust the angle of the pedestal by using both hands to bend the gooseneck (F).
- Step 2. Adjust the angle and rotation of the pedestal head by loosening the swivel-tightening knob (G).



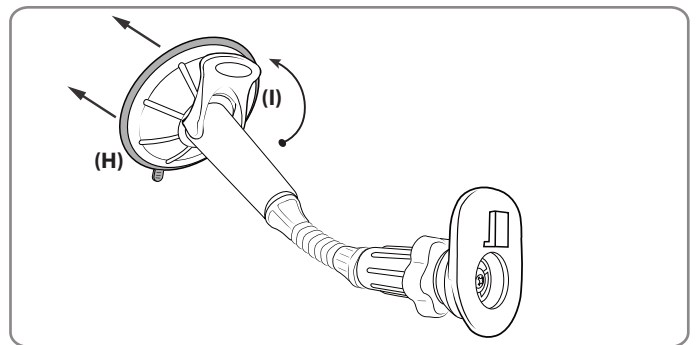
Adaptor Plate Instructions (for Sirius receivers only)

- Step 1. Secure the adaptor plate (A) to the Sirius device cradle (B) by using a screwdriver to secure adaptor plate with screws (C) in the cradle.
- Step 2. Attach the adaptor plate to the pedestal head (D) by inserting the T-tab into the T-slot of the adaptor plate.



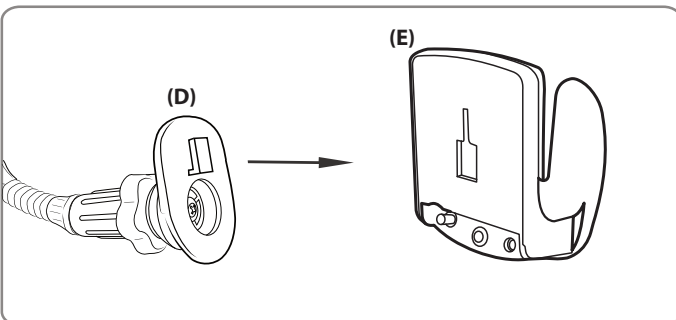
Windshield Installation

- Step 1. Push the pedestal suction cup (H) firmly to the windshield. Flip the lever (I) down to secure the suction cup.



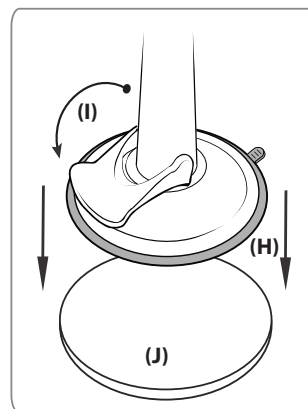
XM Receiver Attachment

- Step 1. Attach the XM device cradle (E) directly to the pedestal head (D) by inserting the T-tab into the T-slot of the XM device.



Dash Installation

- Step 1. Locate a safe flat surface on the dash or console to mount the pedestal. Clean the dash with the alcohol pad provided. Let the dash surface dry before applying the adhesive disc (J).
- Step 2. Push the pedestal suction cup (H) firmly to the disc (J). Flip the lever (I) down to secure the suction cup.



⚠ Safety Precautions

Do not install Arkon products over an air bag cover or within the air bag deployment zone. Arkon Resources, Inc. assumes no responsibility of liability for injury or death as a result of car crashes and/or air bag deployment.

Arkon Resources, Inc. is not responsible for any damages caused to your car, your device, or yourself due to the installation or use of the pedestal mount.

ARKON
RESOURCES INC.

The Mobile Mounting Specialists™

Consumer Hotline:
(USA) (800) 841-0884
(INT'L) (626) 254-9005
Mon-Fri. 9am-5pm, PST

www.arkon.com
Arcadia, CA 91006 USA
Made in Taiwan

© Copyright 2007 Arkon Resources, Inc.