

SM521 | Slim-Grip™ and Lighter Socket Mount with Power Dongle For Mobile and Smartphones

SM050-2 Slim-Grip™
Universal Phone Holder



88mm expandable to 138mm
with Extra Long Support Legs

SP-SM050-LF
Extra Long
Support Legs
(2 Pack)



GN097
Lighter Socket Mount
with Power Dongle



Package Contents:

- (1) GN097 - Lighter socket mount with power dongle
- (1) SM050-2 - Slim-Grip™ Universal Phone and Smartphone Holder
- (1) SP-SM050-LF - Extra Long Support Legs (2 Pack) for larger phones

Specs: Input (12V - 24V) outlets, Output (5V, 500mA)

Make sure the power mentioned in the specs is compatible with your device prior to use.

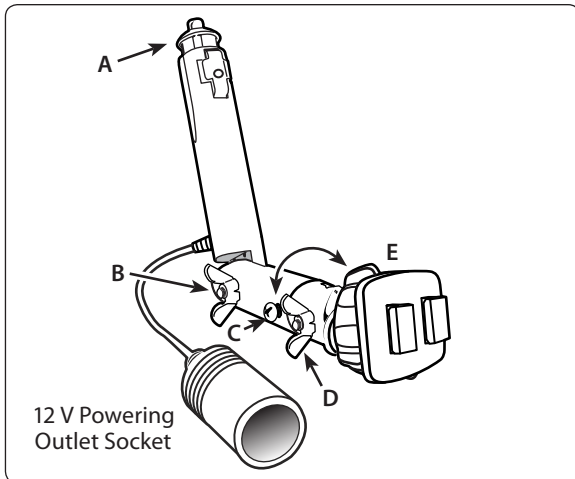
Holder included is Universal, designed to fit nearly ALL non-flip mobile phones regardless of whether a protective case or silicone sleeve is attached to the phone.

- Most smartphones, mobile phones, and cell phones having heights between 80mm and 138mm tall
- Apple iPhone - All models
- RIM BlackBerry - All non-flip models
- HTC Phones - All non-flip models
- Motorola Phones - All non-flip models
- Nokia Mobile Phones - All non-flip models
- Palm - All non-flip models
- LG Mobile Phones - All non-flip models
- Samsung - All non-flip models
- Sony Ericsson - All non-flip models
- Sanyo - All non-flip models
- Pantech - All non-flip models
- Google - All non-flip models

All brand names and product names are trademarks or registered trademarks of their respective owners.

Mount Installation Instructions

- Step 1. Insert the DC Power plug (A) completely into the vehicle's 12V-24V / lighter socket.
- Step 2. Adjust the angle of the pedestal arm by tightening the wing nut (B) to the desired placement angle.

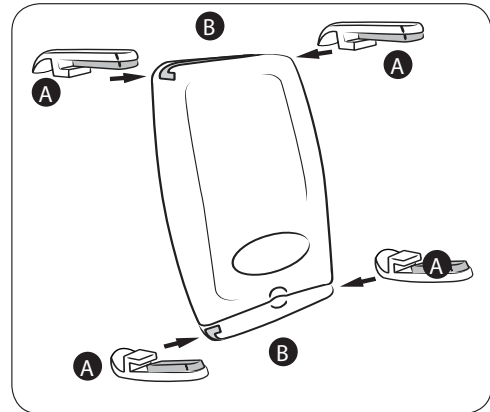


- Step 3. If necessary, adjust the rotation of the mounting head by tightening the screw (C) with a screwdriver.
- Step 4. Adjust the angle of the pedestal head by tightening the wing nut (D) to the desired angle.
- Step 5. Adjust the angle of the pedestal head by tightening the adjustment ring (E).
- Step 6. Insert the car charger that came with your TomTom into the power dongle outlet on the mount.

...Continued on next column

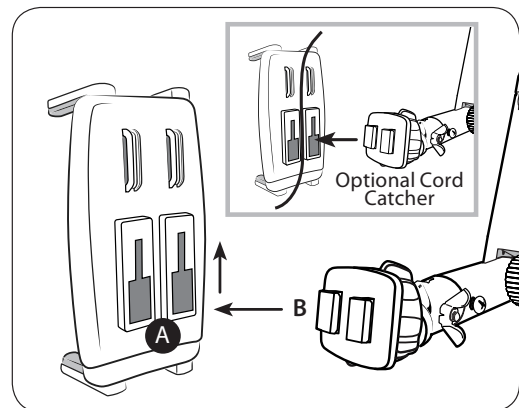
Install the Support Legs to the Holder

- Step 1. Insert the holder support legs (A) by sliding them into the support leg grooves (B) on the top and bottom of the holder.



Connecting the Slim-Grip™ Holder to Dual T-Tab Pedestal

- Step 1. Connect the dual T-slots (A) on holder to the dual T-tabs (B) on the pedestal head.



...Continued on next page

Safety Precautions

Do not install Arkon products over an air bag cover or within the air bag deployment zone. Arkon Resources, Inc. assumes no responsibility of liability for injury or death as a result of car crashes and/or air bag deployment.

Arkon is not responsible for any damages caused to your car, your device, or yourself due to the installation or use of this pedestal mount.

ARKON
RESOURCES INC.

The Mobile Mounting Specialists™

Consumer Hotline:

USA (800) 841-0884

INT'L (626) 254-9005

Monday - Friday 9 am - 5 pm, PST

www.arkon.com

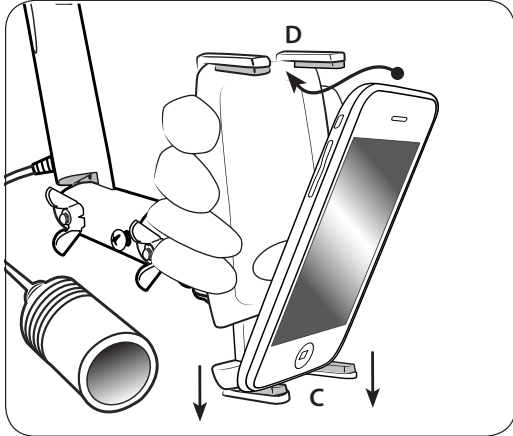
Arcadia, CA 91006 USA

Designed in USA | Made in Taiwan

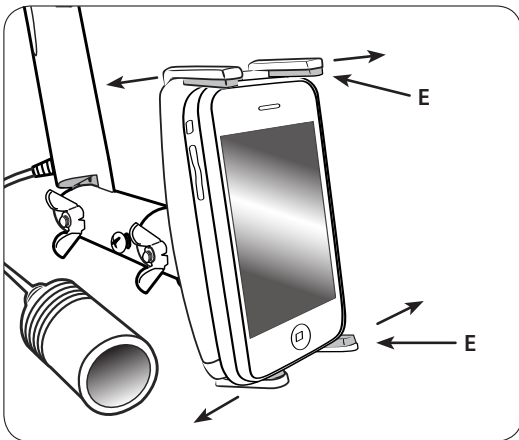
© Copyright 2010 Arkon Resources, Inc.

Insert Phone into Holder

Step 1. Secure holder with your hand for support, as spring-loaded mechanism requires significant force to operate. Hold your phone and insert into universal holder by pushing down on the bottom spring-loaded support legs with moderate amount of pressure (C). Slide the top of the device under the top support legs (D) until it fits snugly in the holder.



Adjusting Holder to Fit Phone



Step 1. If necessary, adjust the support legs (E) on top and bottom by sliding them laterally to avoid any buttons or ports that may be on your phone.

Fitting for Larger Phones

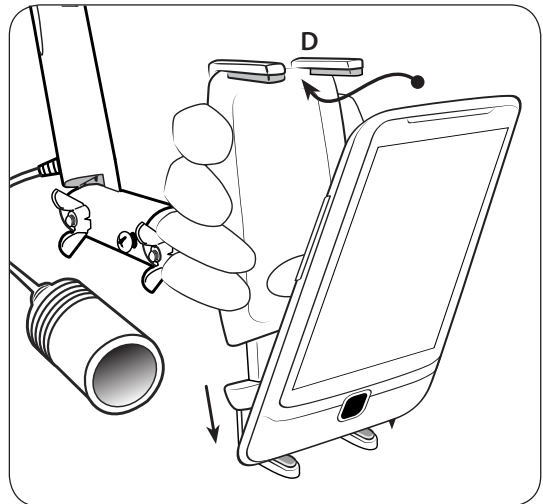
For larger phones such as the T-Mobile G2 and Motorola Droid X, install the two included extra long support legs

Step 1. Insert the extra long support legs (A) by sliding them into the support leg grooves (B) on the top and bottom of the holder.



Insert Phone into Holder

Step 1. Secure holder with your hand for support, as spring-loaded mechanism requires significant force to operate. Hold your phone and insert into universal holder by pushing down on the bottom spring-loaded support legs with moderate amount of pressure (C). Slide the top of the device under the top support legs (D) until it fits snugly in the holder.



Safety Precautions

Do not install Arkon products over an air bag cover or within the air bag deployment zone. Arkon Resources, Inc. assumes no responsibility of liability for injury or death as a result of car crashes and/or air bag deployment.

Arkon is not responsible for any damages caused to your car, your device, or yourself due to the installation or use of this pedestal mount.



The Mobile Mounting Specialists™

Consumer Hotline:
 USA (800) 841-0884
 INT'L (626) 254-9005
 Monday - Friday 9 am - 5 pm, PST

www.arkon.com
 Arcadia, CA 91006 USA
 Designed in USA | Made in Taiwan
 © Copyright 2010 Arkon Resources, Inc.