

# SM521-MICRO | Micro USB Powered Lighter Socket Mount

SM050-2 Slim-Grip™  
Universal Phone Holder



88mm expandable to 138mm  
with Extra Long Support Legs

SP-SM050-LF  
Extra Long  
Support Legs  
(2 Pack)



GN097-MICRO  
Powered Micro USB  
Lighter Socket Mount

## Package Contents:

- (1) GN097-MICRO - Lighter socket mount with Micro USB power cable
- (1) SM050-2 Universal phone and portable device holder
- (1) SP-SM050-LF - Extra Long Support Legs (2 Pack) for larger phones

Specs: Input (12V - 24V) outlets, Output (5V, 500mA)

Make sure the power mentioned in the specs is compatible with your device prior to use.

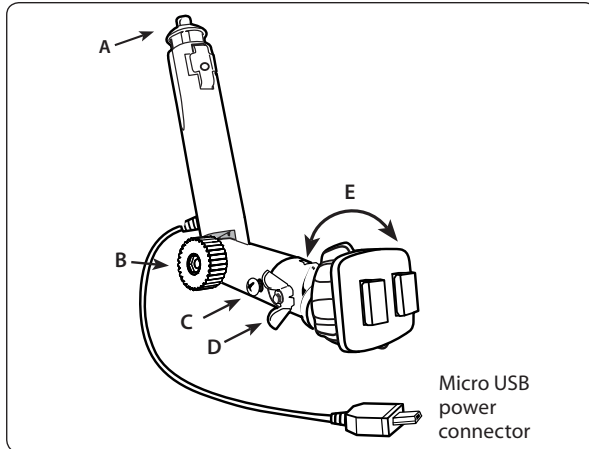
Holder included is Universal, designed to fit nearly ALL non-flip mobile phones regardless of whether a protective case or silicone sleeve is attached to the phone.

- Most smartphones, mobile phones, and cell phones having heights between 80mm and 138mm tall
- Apple iPhone - All models
- RIM BlackBerry - All non-flip models
- HTC Phones - All non-flip models
- Motorola Phones - All non-flip models
- Nokia Mobile Phones - All non-flip models
- Palm - All non-flip models
- LG Mobile Phones - All non-flip models
- Samsung - All non-flip models
- Sony Ericsson - All non-flip models
- Sanyo - All non-flip models
- Pantech - All non-flip models
- Google - All non-flip models

All brand names and product names are trademarks or registered trademarks of their respective owners.

## Mount Installation Instructions

- Step 1. Insert the DC Power plug (A) completely into the vehicle's 12V-24V / lighter socket.
- Step 2. Adjust the angle of the pedestal arm by tightening the adjustment knob (B) to the desired placement angle.

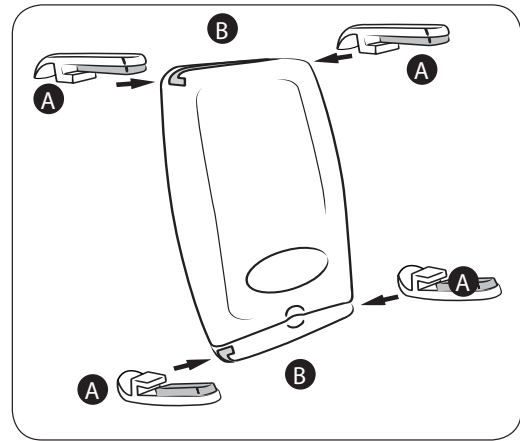


- Step 3. If necessary, adjust the rotation of the mounting head by tightening the screw (C) with a screwdriver.
- Step 4. Adjust the angle of the pedestal head by loosening and then re-tightening the wing nut (D) to the desired angle.
- Step 5. Adjust the angle of the pedestal head by loosening and then re-tightening the adjustment ring (E).

## Install the Support Legs to the Holder

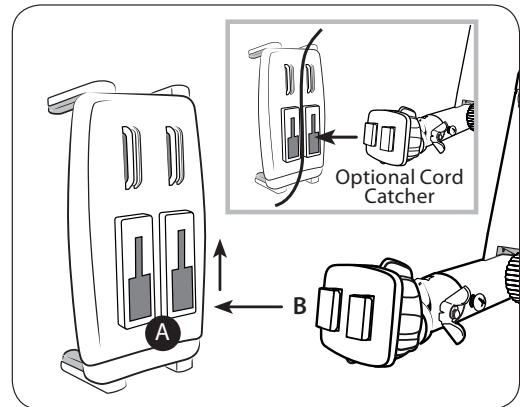
- Step 1. Insert the holder support legs (A) by sliding them into the support leg grooves (B) on the top and bottom of the holder.

...Continued on next column



## Connecting the Slim-Grip™ Holder to Dual T-Tab Pedestal

- Step 1. Connect the dual T-slots (A) on holder to the dual T-tabs (B) on the pedestal head.



...Continued on next page

## Safety Precautions

Do not install Arkon products over an air bag cover or within the air bag deployment zone. Arkon Resources, Inc. assumes no responsibility of liability for injury or death as a result of car crashes and/or air bag deployment.

Arkon is not responsible for any damages caused to your car, your device, or yourself due to the installation or use of this pedestal mount.

**ARKON**  
RESOURCES INC.

The Mobile Mounting Specialists™

Consumer Hotline:

USA (800) 841-0884

INT'L (626) 254-9005

Monday - Friday 9 am - 5 pm, PST

[www.arkon.com](http://www.arkon.com)

Arcadia, CA 91006 USA

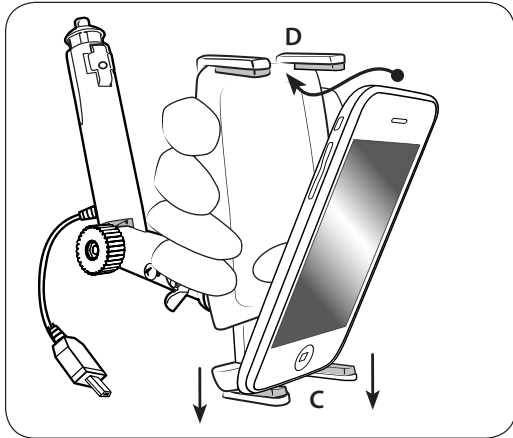
Designed in USA | Made in Taiwan

© Copyright 2010 Arkon Resources, Inc.

## SM521-MICRO | Micro USB Powered Lighter Socket Mount

### Insert Phone into Holder

Step 1. Secure holder with your hand for support, as spring-loaded mechanism requires significant force to operate. Hold your phone and insert into universal holder by pushing down on the bottom spring-loaded support legs with moderate amount of pressure (C). Slide the top of the device under the top support legs (D) until it fits snugly in the holder.



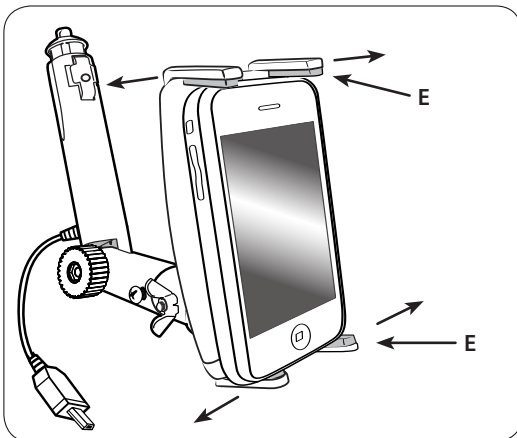
### Fitting for Larger Phones

For larger phones such as the T-Mobile G2 and Motorola Droid X, install the two included extra long support legs

Step 1. Insert the extra long support legs (A) by sliding them into the support leg grooves (B) on the top and bottom of the holder.



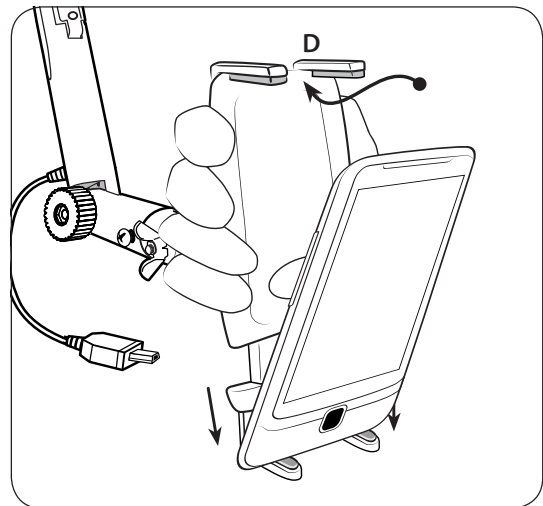
### Adjusting Holder to Fit Phone



Step 1. If necessary, adjust the support legs (E) on top and bottom by sliding them laterally to avoid any buttons or ports that may be on your phone.

### Insert Phone into Holder

Step 1. Secure holder with your hand for support, as spring-loaded mechanism requires significant force to operate. Hold your phone and insert into universal holder by pushing down on the bottom spring-loaded support legs with moderate amount of pressure (C). Slide the top of the device under the top support legs (D) until it fits snugly in the holder.



#### Safety Precautions

Do not install Arkon products over an air bag cover or within the air bag deployment zone. Arkon Resources, Inc. assumes no responsibility of liability for injury or death as a result of car crashes and/or air bag deployment.

Arkon is not responsible for any damages caused to your car, your device, or yourself due to the installation or use of this pedestal mount.

**ARKON**  
RESOURCES INC.

The Mobile Mounting Specialists™

Consumer Hotline:  
USA (800) 841-0884  
INT'L (626) 254-9005  
Monday - Friday 9 am - 5 pm, PST

[www.arkon.com](http://www.arkon.com)  
Arcadia, CA 91006 USA  
Designed in USA | Made in Taiwan  
© Copyright 2010 Arkon Resources, Inc.