

SM517 | Windshield or Dashboard Mount for Samsung Galaxy Tab and other 7" Tablets

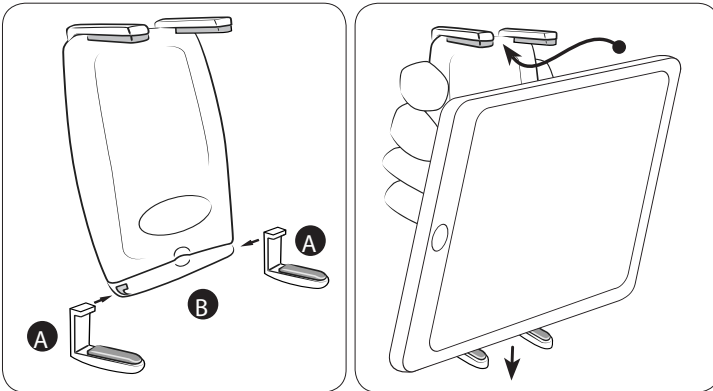


Package Contents:

- (1) CM017-KST-2SH - Windshield and dashboard pedestal
- (1) SM050-2 - Slim-Grip™ tablet holder
- (2) Extra long support legs
- (1) AP020 - Circular adhesive dashboard disc

Install the Support Legs to the Holder

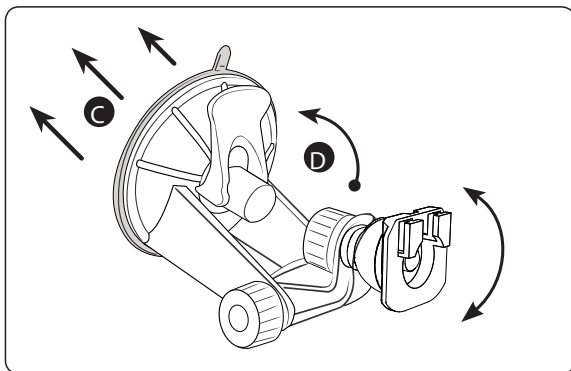
Step 1. Insert the extra long support legs (A) by sliding them into the support leg grooves (B) on the bottom of the holder.



*Fits tablets with screen size 7"

Windshield Mounting

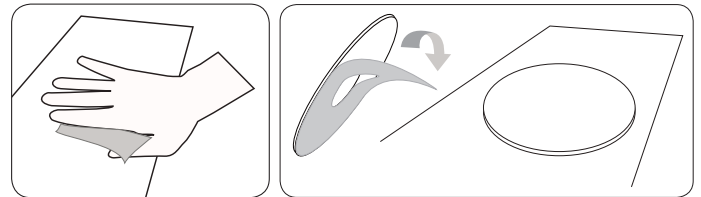
Step 1. Find a safe location on the interior of the vehicle's windshield to mount the pedestal. Firmly push the suction base (C) against the windshield and flip the base lever down (D) to the locked position.



Dashboard or Console Mounting Instructions

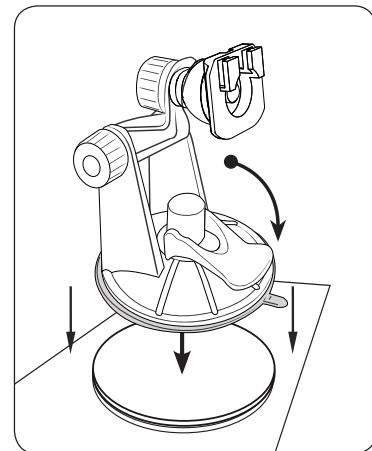
Step 1. Choose a suitable location for disc (and pedestal) installation. **Do not place mount in or near an air bag deployment zone or where it will obstruct view of the road or hinder vehicle operation.**

Step 2. Clean the dashboard or console surface area thoroughly with the included alcohol pad. Allow the area dry before applying the mounting disc.



Step 3. Remove the paper backing of the disc and place on the cleaned surface. Press the top of the disc down firmly to allow the adhesive to stick to the surface. Allow 24 hours for the adhesive to cure to the surface before applying any pressure.

Step 4. Place the suction cup of the pedestal firmly down on the center of the mounting disc and lower the securing lever.



Safety Precautions

Do not install Arkon products over an air bag cover or within the air bag deployment zone. Arkon Resources, Inc. assumes no responsibility of liability for injury or death as a result of car crashes and/or air bag deployment.

Arkon is not responsible for any damages caused to your car, your device, or yourself due to the installation or use of this pedestal mount.

ARKON®

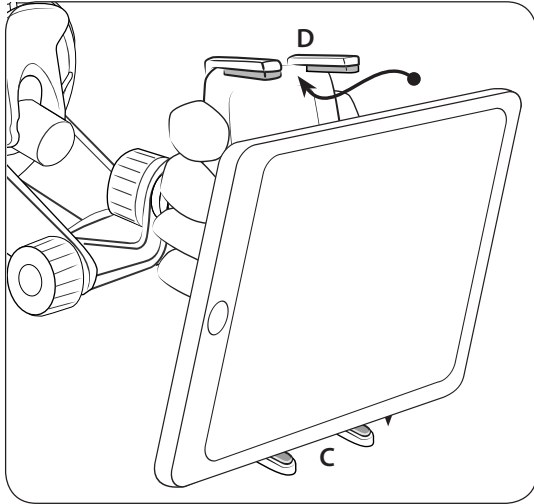
The Mobile Mounting Specialists™

Consumer Hotline:
USA (800) 841-0884
INT'L (626) 254-9005
 Monday - Friday 9 am - 5 pm, PST

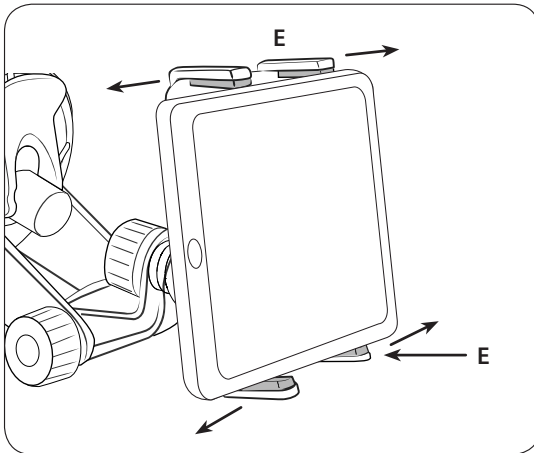
www.arkon.com
 Arcadia, CA 91006 USA
 Designed in USA | Made in China and Taiwan
 © Copyright 2010 Arkon Resources, Inc.

Insert Phone into Holder

Step 1. Secure holder with your hand for support, as spring-loaded mechanism requires significant force to operate. Hold your phone and insert into universal holder by pushing down on the bottom spring-loaded support legs with moderate amount of pressure (C). Slide the top of the device under the top support legs (D) until it fits snugly in the holder.



Adjusting Holder to Fit Phone



Step 1. If necessary, adjust the support legs (E) on top and bottom by sliding them laterally to avoid any buttons or ports that may be on your tablet or other device.

! Safety Precautions
Do not install Arkon products over an air bag cover or within the air bag deployment zone. Arkon Resources, Inc. assumes no responsibility of liability for injury or death as a result of car crashes and/or air bag deployment.
Arkon is not responsible for any damages caused to your car, your device, or yourself due to the installation or use of this pedestal mount.

ARKON[®]
The Mobile Mounting Specialists™

Consumer Hotline:
USA (800) 841-0884
INT'L (626) 254-9005
Monday - Friday 9 am - 5 pm, PST

www.arkon.com
Arcadia, CA 91006 USA
Designed in USA | Made in China and Taiwan
© Copyright 2010 Arkon Resources, Inc.