

SM425-S | 15" Flexible Gooseneck Seat Bolt or Floor Mount



CM088-TS-2
15" Flexible Gooseneck Mount
(Shown with Seat Bolt Bracket attached)



SM040-2
Universal
Phone Cradle

Package Contents:

- (1) Seat bolt bracket
- (1) Floor / console bracket
- (1) Flexible Steel Shaft with plastic tubing
- (3) Screws and (4) plastic caps
- (1) SM040-2 - Universal phone cradle

NOTES:

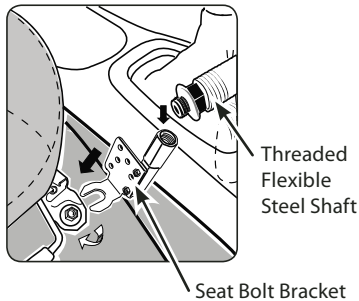
1. Tool for Seat Bolt mounting - socket wrench
2. Tools for optional Floor or Console mounting - drill and screwdriver
3. Do not twist the cradle or device while mounted on top of the pedestal to adjust the steel shaft as this can break the dual T grooves.

Installation Instructions

Passenger Seat Bolt Mounting

For a simple mount that can be easily moved to another vehicle, install using the passenger seat bolt (no drilling required).

- Step 1. Screw the flexible steel shaft into the Seat Bolt Bracket.



- Step 2. With a socket wrench, loosen the passenger seat bolt, insert the Seat Bolt Bracket, and retighten the seat bolt.



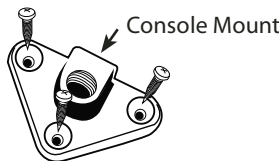
Safety Precautions

Drilling onto the floor or console can permanently damage the vehicle. Use caution and consult a mobile install professional to avoid drilling into the gas tank, electrical system or other highly sensitive vehicle components.

Arkon Resources, Inc. is not responsible for any damages caused to your car or yourself due to the install of the pedestal mount.

Floor or Console Mounting

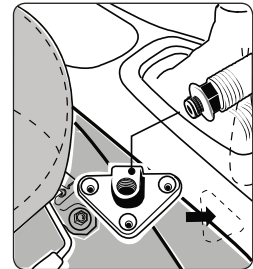
For a more permanent mount, connect the Floor / Console Mount Bracket to the floor or console. This will require drilling into your vehicle's interior surface.



- Step 1. Position the Floor / Console Bracket and drill into the floor or console.

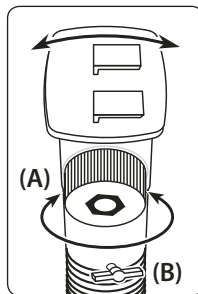
- Step 2. Attach the Floor / Console Bracket with screws and cover with plastic caps.

- Step 3. Screw the steel shaft into the Floor / Console Bracket.



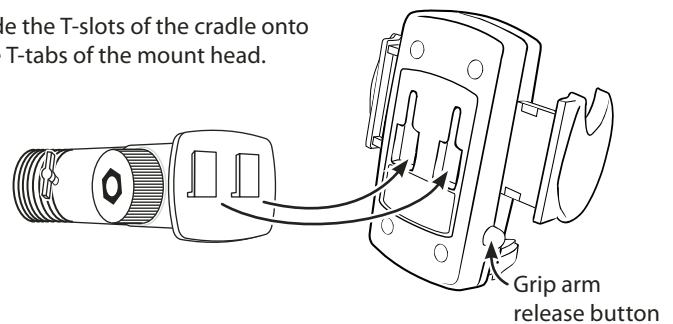
Pedestal Head Adjustments

- Step 1. Adjust the steel shaft by bending with both hands to the desired location of the male dual T-head.
- Step 2. Use the adjustment knob (A) and wing nut (B) on the pedestal head to swivel or rotate the head position if necessary.
- Step 3. Align the female dual T-slots on the cradle to the dual T-tabs on the pedestal head. Insert device.



Connecting the cradle

Slide the T-slots of the cradle onto the T-tabs of the mount head.



Safety Precautions

Drilling onto the floor or console can permanently damage the vehicle. Use caution and consult a mobile install professional to avoid drilling into the gas tank, electrical system or other highly sensitive vehicle components.

Arkon Resources, Inc. is not responsible for any damages caused to your car or yourself due to the installation or use of the pedestal mount.

ARKON
RESOURCES INC.

The Mobile Mounting Specialists™

Consumer Hotline:

USA (800) 841-0884

INT'L (626) 254-9005

Monday - Friday 9 am - 5 pm, PST

www.arkon.com

Arcadia, CA 91006 USA

Designed in USA | Made in Taiwan

© Copyright 2010 Arkon Resources, Inc.