

# SM328 | Multi Angle Adhesive Dash Mount



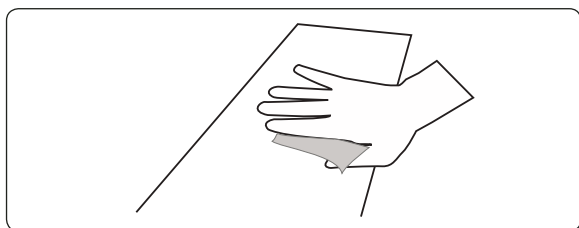
## Package Contents:

- (1) CM048-2 - 1" Multi angle adhesive dash mount
- (1) Alcohol cleaning pad and (3) Self tapping screws (optional)
- (1) SM015-2 - Universal phone cradle

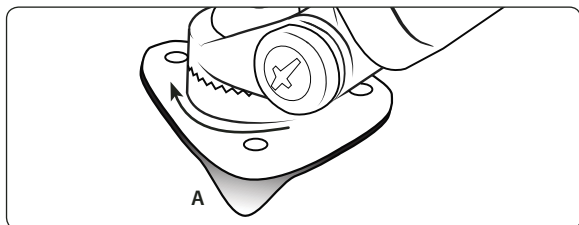
**!** Drilling into the dash, floor, or console will permanently damage the vehicle. Use caution and consult a mobile install professional to avoid drilling into the gas tank, electrical system or other highly sensitive vehicle components.

## Dash or Console Adhesive Mounting

Step 1. Find a safe location on the dash or console to mount the pedestal. Make sure the area is clean and dry. Use the included alcohol pad to clean the mounting surface.



Step 2. Remove the adhesive backing (A) under the triangular pedestal and firmly press into place.



Step 3. After adhesive has bonded at room temperature (approx. 72° F), allow 24 hours prior to use for best results.

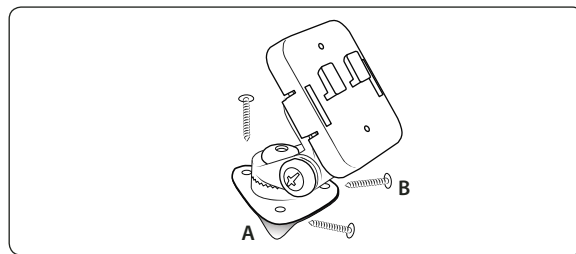
Step 4. Adjust the angle of the pedestal head by firmly holding the base and rotating to the desired angle.

## Dash or Console Screw Mounting (Optional)

Step 1. Find a safe location on the dash or console to mount the pedestal. Make sure the area is clean and dry. Use the included alcohol pad to clean the mounting surface. Remove the adhesive backing (A) under the triangular pedestal and firmly press into place.

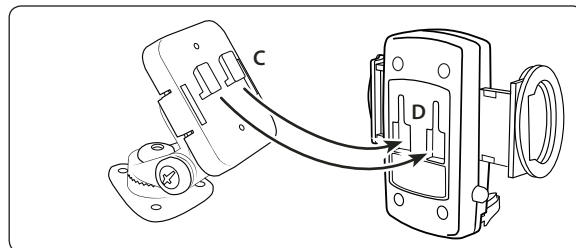
Step 2. Using a screwdriver, tighten the 3 screws (B) through the pedestal base into the mounting surface. Adjust the angle of the pedestal head by firmly holding the base and rotating to the desired angle.

*Continued on next column...*

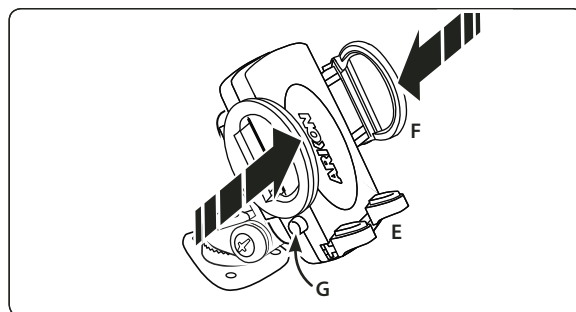


## Universal Cradle Attachment and Device Insertion

Step 1. Attach the universal cradle to the mount by inserting the dual T-Tabs on the pedestal head (C) into the dual T-slots on the back of the cradle (D).



Step 2. Place the phone or device into the cradle with the device sitting on the adjustable support legs (E). Clamp the grip arms (F) inward to firmly grasp the device. Press the release button (G) to open the arms.



**!** **Safety Precautions**  
Do not install Arkon products over an air bag cover or within the air bag deployment zone. Arkon Resources, Inc. assumes no responsibility of liability for injury or death as a result of car crashes and /or air bag deployment.

Arkon is not responsible for any damages caused to your car, your device, or yourself due to the installation or use of this pedestal mount.

**ARKON**  
**RESOURCES INC.** The Mobile Mounting Specialists™

Consumer Hotline: [www.arkon.com](http://www.arkon.com)  
 USA (800) 841-0884 Arcadia, CA 91006 USA  
 INT'L (626) 254-9005 Designed in USA | Made in Taiwan  
 Monday - Friday 9 am - 5 pm, PST © Copyright 2009 Arkon Resources, Inc.