

# SM323-G | Universal Cup Holder Gooseneck Mount Kit



CM033-G-2  
Gooseneck  
Cup Holder



SM015-2  
Universal  
Phone Cradle

## Package Contents:

- (1) CM033-G-2 - Cup holder with gooseneck mount
- (1) SM015-2 - Universal phone cradle
- (1) Optional adhesive support pads

No tools required for installation.

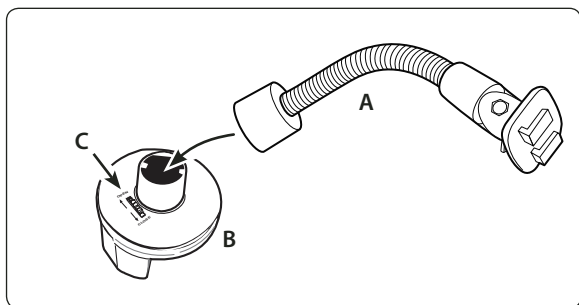
Note: mount may not work with adjustable, "pop out" cup holders or oversize cup holder openings found in full-size pickup trucks.



Do not place mount in or near an air bag deployment zone or where it will obstruct view of the road.

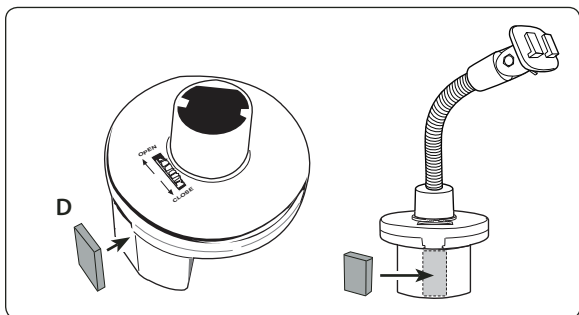
## Cup Holder Mounting

- Step 1. Connect the gooseneck (A) to the cup holder base (B) by aligning the groove on the base to the ridge inside the bottom of the gooseneck.



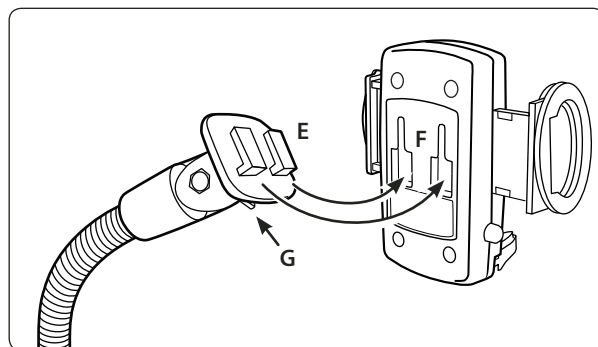
- Step 2. Place the Cup Holder Mount into a designated cup holder in the vehicle. Adjust the thumb wheel adjuster (C) to open or close the cup holder prongs to fit in the cup holder.

- Step 3. For oversize cup holder openings or the adjustable "pop out" cup holders use the optional self-adhesive side support pads (D). Install the pads by removing the adhesive backing and placing it on the flat surface side of the cup holder support leg.

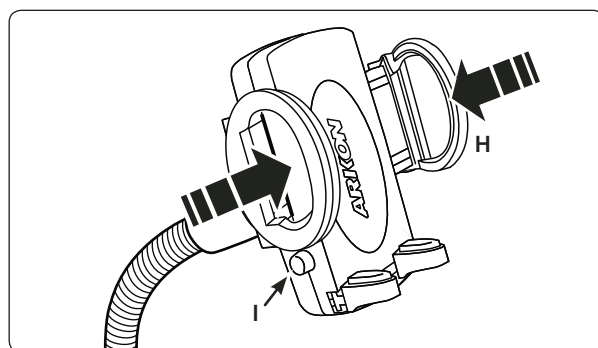


## Universal Cradle Attachment

- Step 1. Attach the device or cradle to the gooseneck by inserting the T-tabs (E) on the head into the T-slots (F) on the back of the universal cradle.



- Step 2. Adjust the angle of the dual-T head by tightening the adjustment wingnut (G).



- Step 3. Place the phone or device into the cradle with the device sitting on the support legs. Clamp the grip arms (H) inward to firmly grasp the device. Press the Release button (I) to open the arms.



## Safety Precautions

Do not install Arkon products over an air bag cover or within the air bag deployment zone. Arkon Resources, Inc. assumes no responsibility of liability for injury or death as a result of car crashes and/or air bag deployment.

Arkon is not responsible for any damages caused to your car, your device, or yourself due to the installation or use of this pedestal mount.

**ARKON**  
**RESOURCES INC.**

The Mobile Mounting Specialists™

Consumer Hotline:

USA (800) 841-0884

INT'L (626) 254-9005

Monday - Friday 9am - 5 pm, PST

[www.arkon.com](http://www.arkon.com)

Arcadia, CA 91006 USA

Designed in USA | Made in China and Taiwan

© Copyright 2009 Arkon Resources, Inc.