

SM223 CM330 CM923 | Universal Cup Holder Mount Kit



Package Contents:

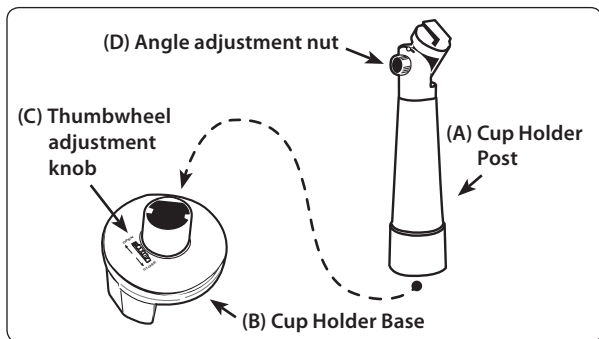
- (1) CM033-B 5" Cup Holder Pedestal Mount
- (1) SM020 SmartPhone Phone Cradle
- or
- (1) CM090 Universal PDA / MP3 Cradle

No Tools Required for installation

Installation Instructions

Cup Holder Mounting

Step 1. Connect the post (A) to the cup holder base (B) by aligning the groove on the base to the ridge inside the bottom of the post.

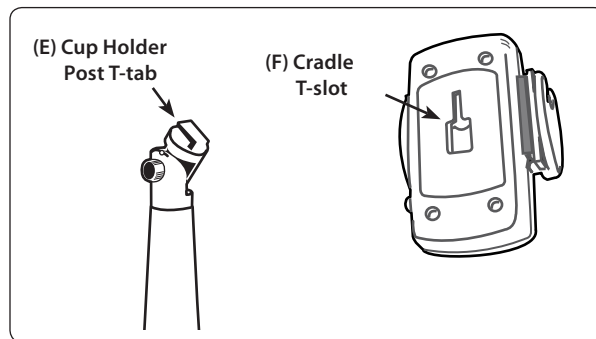


Step 2. Place the Universal Cup Holder Mount into the designated cup holder in the vehicle. (Note: mount will not work with adjustable, "pop out" cup holders or oversize cup holder openings found in full-size pickup trucks.)

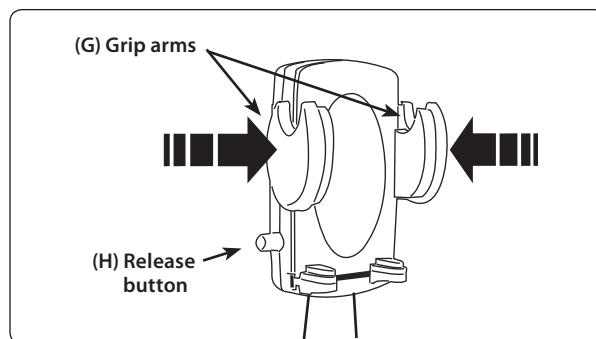
Step 3. Adjust the thumbwheel adjuster (C) to open or close the cup holder prongs to fit in the cup holder.

Step 4. Adjust the tightening nut (D) to the desired angle of the cradle.

Step 5. Install the cradle to the post by inserting the T-tab (E) on the post to the T-slot (F) on the cradle.



Step 6. Place the phone or device into the cradle with the device sitting on the support legs. Clamp the grip arms (G) inward to firmly grasp the device. Press the Release button (H) to open the arms.



Airbag Warning

Do not install Arkon products over an airbag cover or within the airbag deployment zone. Arkon Resources, Inc. assumes no responsibility of liability for injury or death as a result of car crashes and/or airbag deployment.

Arkon is not responsible for any damages caused to your car, your device, or yourself due to the installation or use of the pedestal mount.

ARKON
RESOURCES INC.

The Mobile Mounting Specialists™

Consumer Hotline:

(USA) (800) 841-0884

(INT'L) (626) 254-9005

Mon-Fri. 9am-5pm, PST

www.arkon.com

Arcadia, CA 91006 USA

Made in Taiwan

© Copyright 2007 Arkon Resources, Inc.