

MM221 | Lighter Socket Mount with Power Dongle for Mio® Moov™ 200 Series



Package Contents:

- (1) CM097-2 - 12V / Lighter socket mount with power dongle
- (1) APMM200 - Dual-T to Mio Moov 200 pattern adapter plate

Compatible with:

- Mio Moov 200 Series
- Navman S30 3D GPS

All brand names and product names are trademarks or registered trademarks of their respective owners.

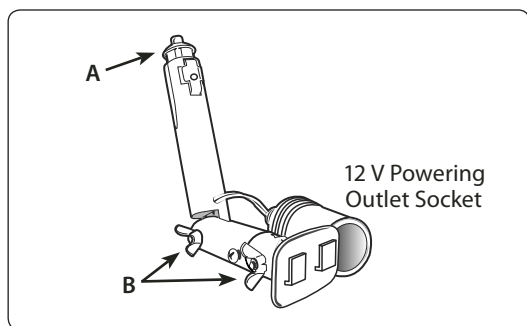


Do not place mount in or near an air bag deployment zone or where it will obstruct view of the road.

Mount Installation Instructions

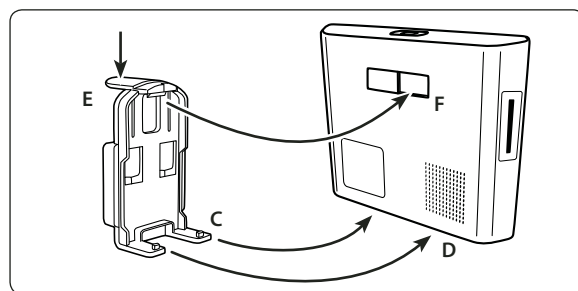
Step 1. Insert the DC Power plug (A) completely into the vehicle's 12V / lighter socket.

Step 2. Adjust the angle of the pedestal arm by tightening the wing nuts (B) to the desired placement angle.



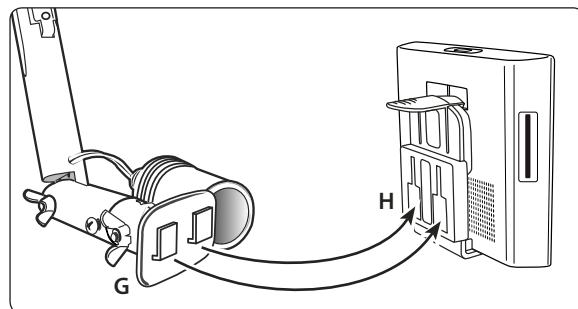
Connect Adapter Plate to Mio Moov 200 Series Device

Step 1. Connect the Moov adapter plate to Moov 200 device (not included, sold separately) by placing the feet (C) of the adapter into the corresponding notches (D) on the bottom of the device. Holding the thumb tab down (E), insert the upper tooth (F) into the recessed slot on the back of the device.



Connect Mio 200 Series Device to Lighter Socket Mount

Step 1. Attach the device to the pedestal by inserting the dual T-Tabs on the pedestal head (G) into the T-slots on the adapter plate (H).



Safety Precautions

Do not install Arkon products over an air bag cover or within the air bag deployment zone. Arkon Resources, Inc. assumes no responsibility of liability for injury or death as a result of car crashes and/or air bag deployment.

Arkon is not responsible for any damages caused to your car, your device, or yourself due to the installation or use of this pedestal mount.

ARKON
RESOURCES INC.

The Mobile Mounting Specialists™

Consumer Hotline:

USA (800) 841-0884

INT'L (626) 254-9005

Monday - Friday 9 am - 5 pm, PST

www.arkon.com

Arcadia, CA 91006 USA

Designed in USA | Made in Taiwan

© Copyright 2008 Arkon Resources, Inc.