

# MM215 | Travelmount® Windshield or Dash Mount for Mio® Moov™ 200 Series



## Package Contents:

- (1) CM014-KST-2SH - Windshield suction or dash mount
- (1) APM200 - Dual-T to Mio Moov 200 pattern adapter plate
- (1) AP036 - Adhesive circular disc
- (1) Alcohol cleaning pad

## Compatible with:

- Mio Moov 200 Series
- Navman S30 3D GPS

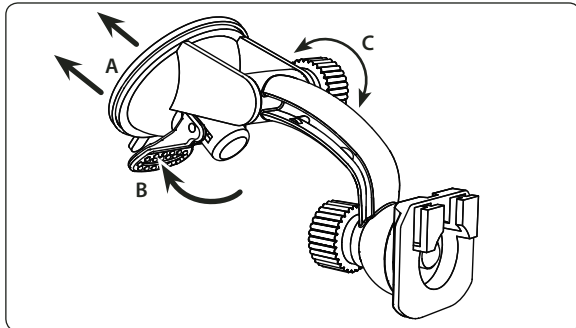
All brand names and product names are trademarks or registered trademarks of their respective owners.



Do not place mount in or near an air bag deployment zone or where it will obstruct view of the road.

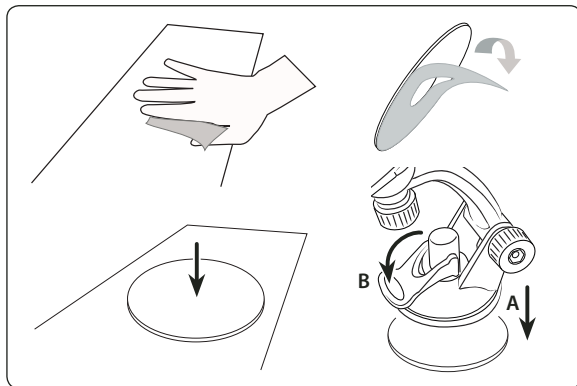
## Windshield Mount Installation

- Step 1. Find a safe location on the interior of the vehicle's windshield to mount the pedestal. Firmly push the suction base (A) against the windshield and flip the base lever down (B) to the locked position. See diagram below.
- Step 2. Adjust the angle of the pedestal arm by tightening the angle adjustment knob (C) at the base to the desired angle.



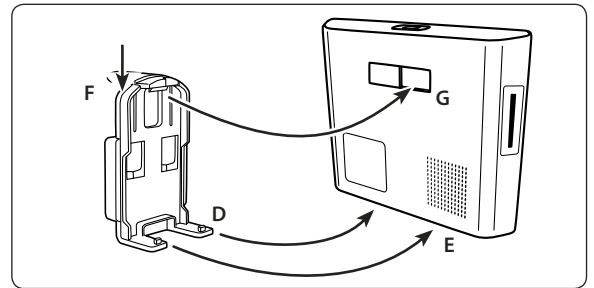
## Dash or Console Mounting (Optional)

- Step 1. Find a safe location on the dash or console. Use the included alcohol pad to clean the mounting surface if necessary. Remove the paper backing on the adhesive disc and firmly press in place.
- Step 2. Place the pedestal's suction base (A) over the center of the circular disc. While firmly holding the pedestal on top of the disc, flip the base lever down (B) to the locked position.



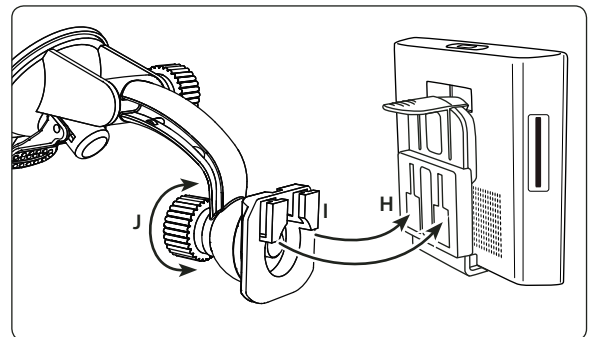
## Connect Adapter Plate to Mio Moov 200 Series Device

- Step 1. Connect the Moov adapter plate to Moov 200 device (not included, sold separately) by placing the feet (D) of the adapter into the corresponding notches (E) on the bottom of the device. Holding the thumb tab down (F), insert the upper tooth (G) into the recessed slot on the back of the device.



## Connect Mio Moov 200 Series Device to Windshield Mount

- Step 1. Connect the dual T-slots (H) on adapter plate to the dual T-tabs (I) on the pedestal head. Adjust the angle and rotation of the head by tightening the head adjustment knob (J).



## Safety Precautions

Do not install Arkon products over an air bag cover or within the air bag deployment zone. Arkon Resources, Inc. assumes no responsibility of liability for injury or death as a result of car crashes and/or air bag deployment.

Arkon is not responsible for any damages caused to your car, your device, or yourself due to the installation or use of this pedestal mount.

**ARKON**  
RESOURCES INC.

The Mobile Mounting Specialists™

Consumer Hotline:  
USA (800) 841-0884  
INT'L (626) 254-9005  
Monday - Friday 9 am - 5 pm, PST

[www.arkon.com](http://www.arkon.com)  
Arcadia, CA 91006 USA  
Designed in USA | Made in China and Taiwan  
© Copyright 2008 Arkon Resources, Inc.