



Package Contents:

- (1) GN097 - Lighter socket mount with power dongle
- (1) SM050-2 - Slim-Grip™ holder for Apple iPhone and iPod touch®

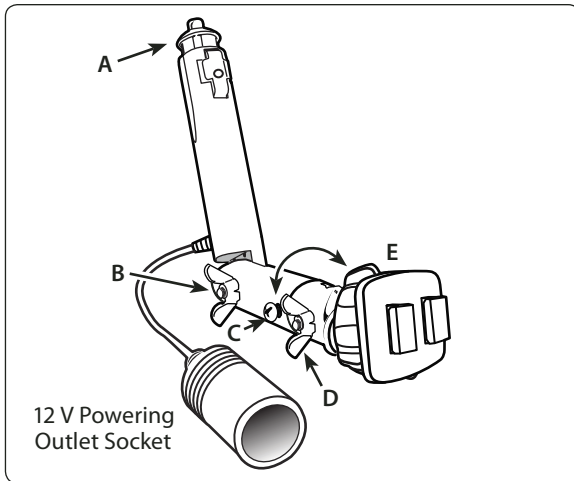
Compatible with the following devices:

- Apple iPhone® 4
- Apple iPhone® 3GS
- Apple iPhone® 3G
- Apple iPhone® Original
- Apple iPod touch® - All models

*Apple®, iPhone®, and iPod touch® are trademarks of Apple Computer, Inc. Arkon Resources, Inc. is not affiliated with Apple Computer, Inc.

Mount Installation Instructions

- Step 1. Insert the DC Power plug (A) completely into the vehicle's 12V-24V / lighter socket.
- Step 2. Adjust the angle of the pedestal arm by tightening the wing nut (B) to the desired placement angle.

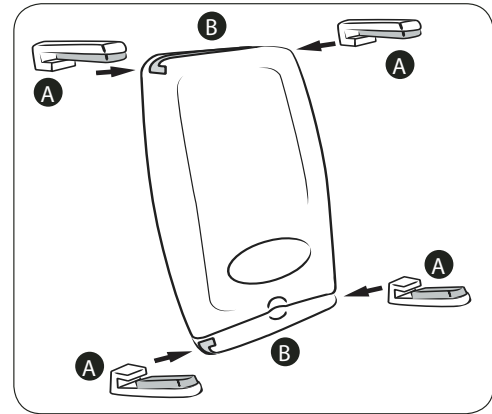


- Step 3. If necessary, adjust the rotation of the mounting head by tightening the screw (C) with a screwdriver.
- Step 4. Adjust the angle of the pedestal head by tightening the wing nut (D) to the desired angle.
- Step 5. Adjust the angle of the pedestal head by tightening the adjustment ring (E).
- Step 6. Insert the car charger that came with your TomTom into the power dongle outlet on the mount.

...Continued on next column

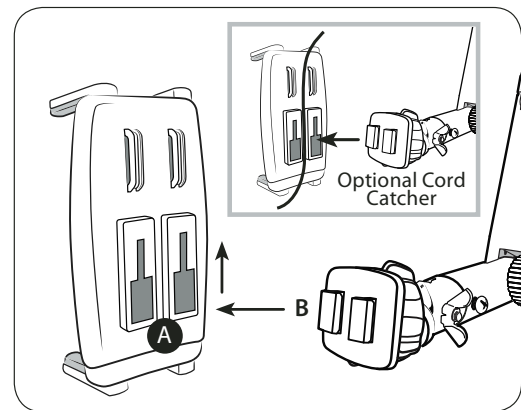
Install the Support Legs to the Holder

- Step 1. Insert the holder support legs (A) by sliding them into the support leg grooves (B) on the top and bottom of the holder.



Connecting the Slim-Grip™ Holder to Dual T-Tab Pedestal

- Step 1. Connect the dual T-slots (A) on holder to the dual T-tabs (B) on the pedestal head.



...Continued on next page



Safety Precautions

Do not install Arkon products over an air bag cover or within the air bag deployment zone. Arkon Resources, Inc. assumes no responsibility of liability for injury or death as a result of car crashes and /or air bag deployment.

Arkon is not responsible for any damages caused to your car, your device, or yourself due to the installation or use of this pedestal mount.



The Mobile Mounting Specialists™

Consumer Hotline:

USA (800) 841-0884

INT'L (626) 254-9005

Monday - Friday 9 am - 5 pm, PST

www.arkon.com

Arcadia, CA 91006 USA

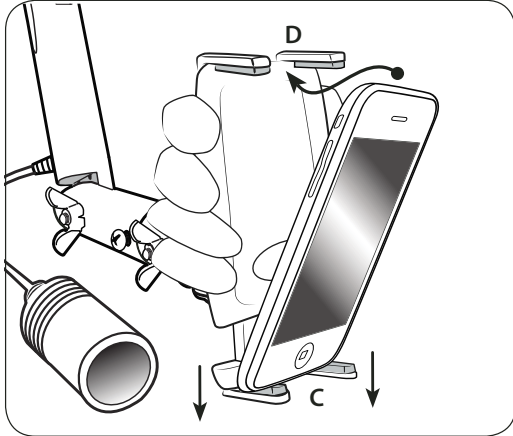
Designed in USA | Made in Taiwan

© Copyright 2010 Arkon Resources, Inc.

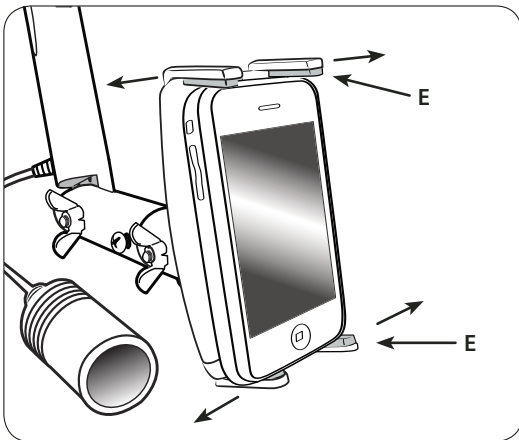
SM521-MICRO | Micro USB Powered Lighter Socket Mount

Insert Phone into Holder

- Step 1. Secure holder with your hand for support, as spring-loaded mechanism requires significant force to operate. Hold your phone and insert into universal holder by pushing down on the bottom spring-loaded support legs with moderate amount of pressure (C). Slide the top of the device under the top support legs (D) until it fits snugly in the holder.



Adjusting Holder to Fit Phone



- Step 1. If necessary, adjust the support legs (E) on top and bottom by sliding them laterally to avoid any buttons or ports that may be on your phone.



Safety Precautions

Do not install Arkon products over an air bag cover or within the air bag deployment zone. Arkon Resources, Inc. assumes no responsibility of liability for injury or death as a result of car crashes and/or air bag deployment.

Arkon is not responsible for any damages caused to your car, your device, or yourself due to the installation or use of this pedestal mount.

ARKON
RESOURCES INC.

The Mobile Mounting Specialists™

Consumer Hotline:

USA (800) 841-0884

INT'L (626) 254-9005

Monday - Friday 9 am - 5 pm, PST

www.arkon.com

Arcadia, CA 91006 USA

Designed in USA | Made in Taiwan

© Copyright 2010 Arkon Resources, Inc.