

# IPM121 | Lighter Socket Pedestal with Power Outlet for Apple® iPhone™



CM097-2  
Lighter Socket  
Mount

Patent Pending



CC005-IP  
Custom Cradle  
for iPhone


## Package Contents:

- (1) CM097-2 - 12V / Lighter socket mount with power outlet
- (1) CC005-IP - Custom cradle for Apple iPhone

## Compatible with:

- Apple iPhone 3G and Original iPhone

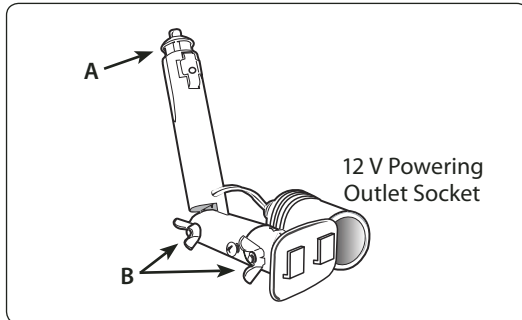
Apple brand name and iPhone product name are trademarks or registered trademarks of Apple, Inc. Arkon Resources, Inc. is not affiliated with Apple, Inc.

 Do not place mount in or near an air bag deployment zone or where it will obstruct view of the road.

## Mount Installation Instructions

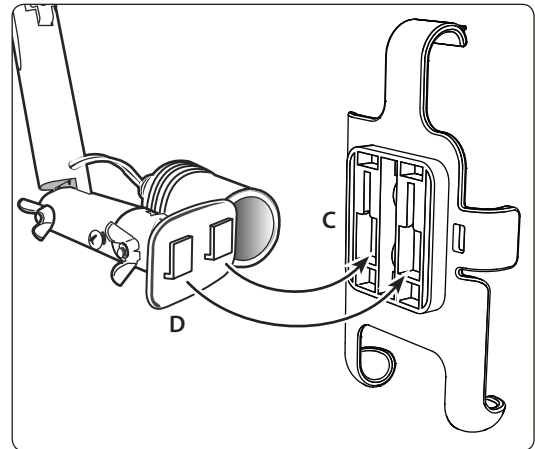
- Step 1. Insert the DC Power plug (A) completely into the vehicle's 12V / lighter socket.

Adjust the angle of the pedestal arm by tightening the wing nuts (B) to the desired placement angle.

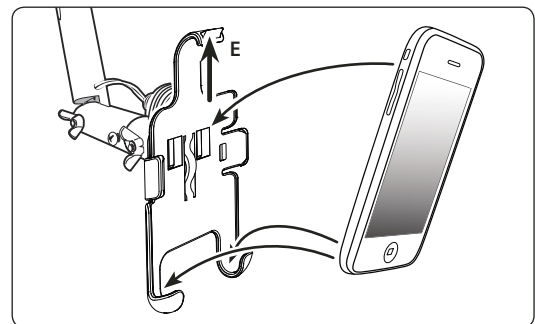


## Cradle Connection and iPhone Insertion / Removal from Cradle

- Step 1. Connect the dual T-slots (C) on the back of the iPhone cradle to the dual T-tabs (D) on the lighter pedestal head.



- Step 2. Lift and hold the upper thumb tab (E) while gently lowering the iPhone device (not included, sold separately) into the cradle.



## Safety Precautions

Do not install Arkon products over an air bag cover or within the air bag deployment zone. Arkon Resources, Inc. assumes no responsibility of liability for injury or death as a result of car crashes and /or air bag deployment.

Arkon is not responsible for any damages caused to your car, your device, or yourself due to the installation or use of this pedestal mount.

**ARKON**  
RESOURCES INC.

The Mobile Mounting Specialists™

Consumer Hotline:

USA (800) 841-0884

INT'L (626) 254-9005

Monday - Friday 9am - 5pm, PST

[www.arkon.com](http://www.arkon.com)

Arcadia, CA 91006 USA

Designed in USA | Made in China and Taiwan

© Copyright 2008 Arkon Resources, Inc.