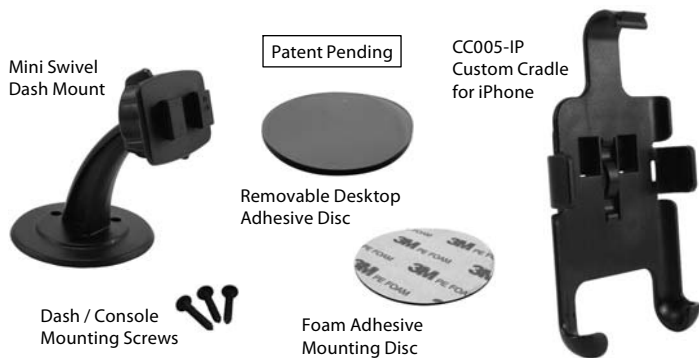


IPM116 | Mini Swivel Dash or Console Mount for Apple® iPhone™



Package Contents:

- (1) GN016-SBH - Mini swivel dash mount
- (1) CC005-IP - Custom cradle for Apple iPhone
- (1) Semi-permanent foam adhesive mounting disc (optional)
- (1) Removable desktop adhesive disc (optional)
- (1) Set of 3 mounting screws (optional)
- (1) Alcohol cleaning pad

Compatible with:

- Apple iPhone 3G and Original iPhone

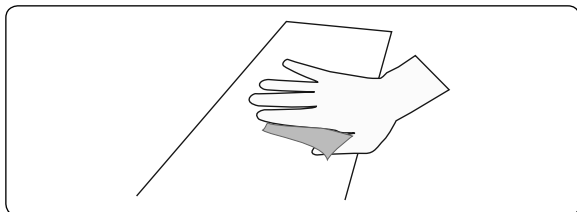
! Do not place mount in or near an air bag deployment zone or where it will obstruct view of the road.

Vehicle Dash or Console Mount Installation

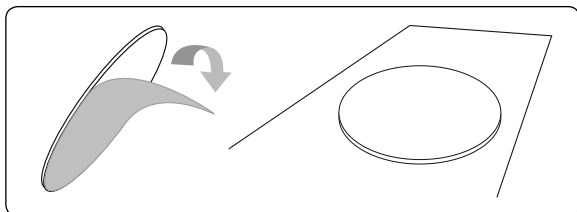
Find a safe location on the vehicle dash or console.

Adhesive Disc Mounting

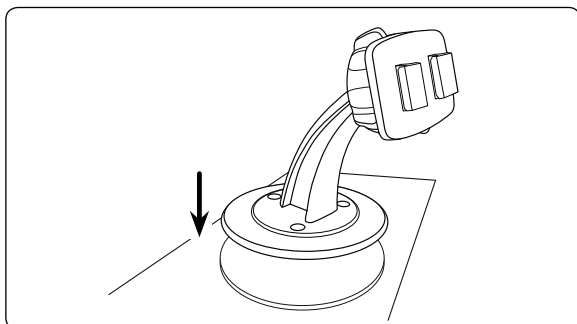
- Step 1. Clean the dash or console surface area thoroughly with the included alcohol pad. Allow the area dry before applying the mounting disc.



- Step 2. Remove the paper backing on one side of the disc and place the sticky side down on the cleaned surface. Press the top of the disc down firmly to allow the adhesive to stick to the surface. Allow 24 hours for the adhesive to cure to the surface before attaching the mount.



- Step 3. Remove the paper on the top side and firmly press the mount down on the adhesive disc.



Optional Screw Mounting

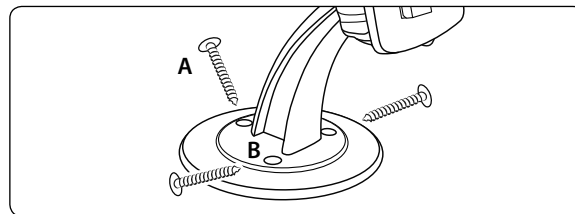


Safety Precautions

Drilling into the dash or console will permanently damage the vehicle. Use caution and consult a mobile install professional to avoid drilling into the gas tank, electrical system or other highly sensitive vehicle components.

Arkon Resources, Inc. is not responsible for any damages caused to your car or yourself due to the install of the pedestal mount.

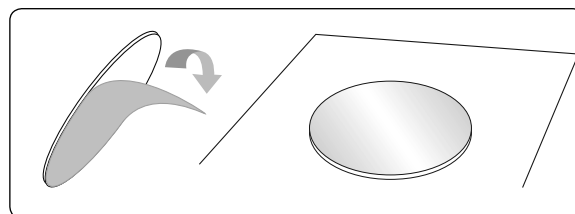
- Step 1. Clean the dash or console surface area thoroughly with the included alcohol pad. Allow the area to dry.



- Step 2. Using a screwdriver, tighten the 3 screws (A) through the pedestal base holes (B) into the mounting surface.

Desktop Mount Installation

- Step 1. Clean the desk or other smooth surface area and let dry.
- Step 2. Remove the backing on one side of the disc and place the sticky side down on the cleaned surface. Press the top of the disc down firmly to allow the adhesive to stick to the surface.



Continued on other side...



Safety Precautions

Do not install Arkon products over an air bag cover or within the air bag deployment zone. Arkon Resources, Inc. assumes no responsibility of liability for injury or death as a result of car crashes and/or air bag deployment.

Arkon is not responsible for any damages caused to your car, your device, or yourself due to the installation or use of this pedestal mount.

ARKON
RESOURCES INC.

The Mobile Mounting Specialists™

Consumer Hotline:

USA (800) 841-0884

INT'L (626) 254-9005

Monday - Friday 9 am - 5 pm, PST

www.arkon.com

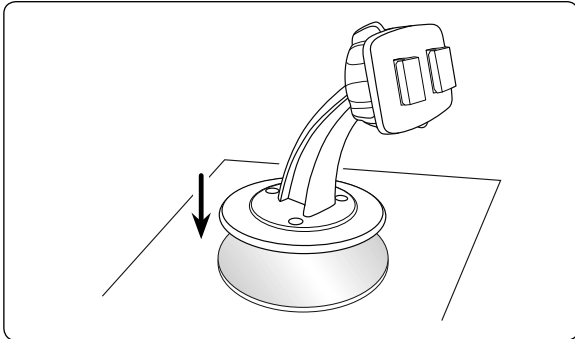
Arcadia, CA 91006 USA

Designed in USA | Made in China and Taiwan

© Copyright 2009 Arkon Resources, Inc.

Continued from previous side...

- Step 2. Remove the backing on the top side of the disc and firmly press the mount down on the adhesive disc.

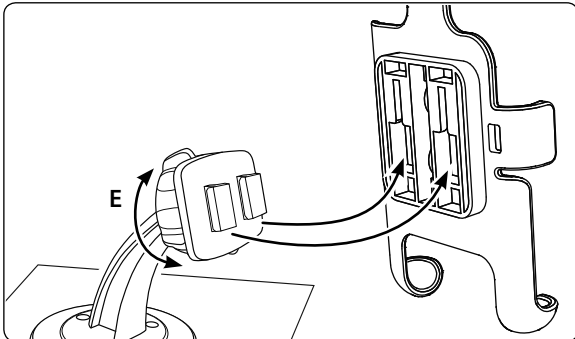


- Step 3. To remove the desktop disc, simply peel and lift up. Cleaning the disc with soap and water will revive the stickiness.

Connect iPhone Cradle to Pedestal

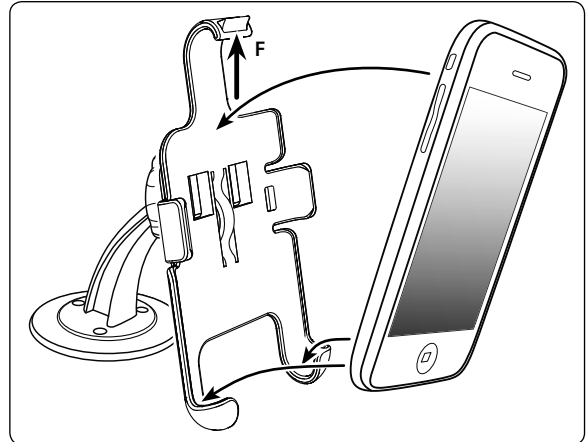
- Step 1. While holding the mount securely, firmly slide the dual T-slots (C) on the back of the iPhone cradle to the dual T-tabs (D) on the swivel head.

Adjust the angle of the mount head by tightening the swivel tightening ring (E).



iPhone Insertion and Removal from Cradle

- Step 1. Lift and hold the upper thumb tab (F) while gently lowering the iPhone device (not included, sold separately) into the cradle.



Apple brand name and iPhone product name are trademarks or registered trademarks of Apple, Inc. Arkon Resources, Inc. is not affiliated with Apple, Inc.



Safety Precautions

Do not install Arkon products over an air bag cover or within the air bag deployment zone. Arkon Resources, Inc. assumes no responsibility of liability for injury or death as a result of car crashes and/or air bag deployment.

Arkon is not responsible for any damages caused to your car, your device, or yourself due to the installation or use of this pedestal mount.

ARKON
RESOURCES INC.

The Mobile Mounting Specialists™

Consumer Hotline:

USA (800) 841-0884

INT'L (626) 254-9005

Monday - Friday 9 am - 5 pm, PST

www.arkon.com

Arcadia, CA 91006 USA

Designed in USA | Made in China and Taiwan

© Copyright 2009 Arkon Resources, Inc.