

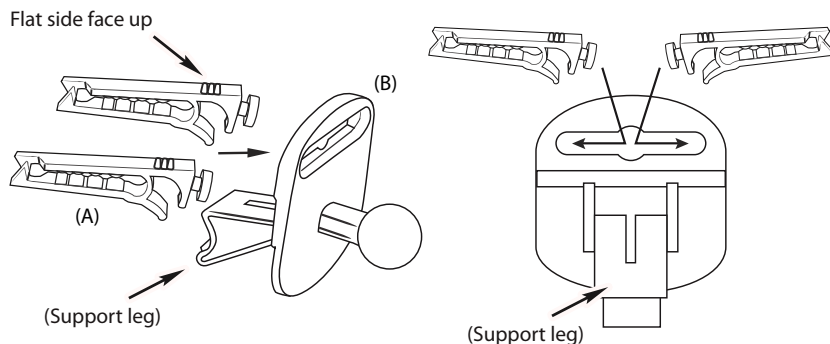
Air Vent Mount for Garmin Nuvi® and StreetPilot® portable GPS navigation devices.

Compatible with ALL Garmin Nuvi portable navigation devices including: Nuvi 200, 250, 270, 300, 310, 370, 600, 610, 650, 670, 680.

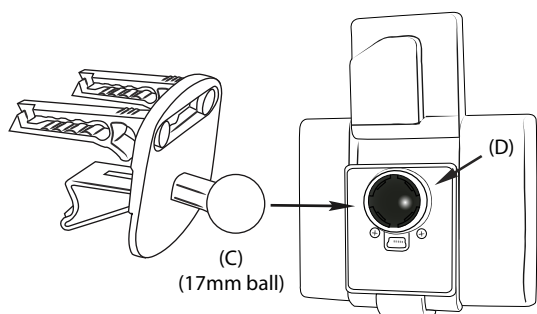
Compatible with Garmin StreetPilot models c310, c330, c340, c510, c530, c550, c580.

1. Choose a suitable vent location for installation. **Do not place mount in or near an air bag deployment zone or where it will obstruct view of the road.**

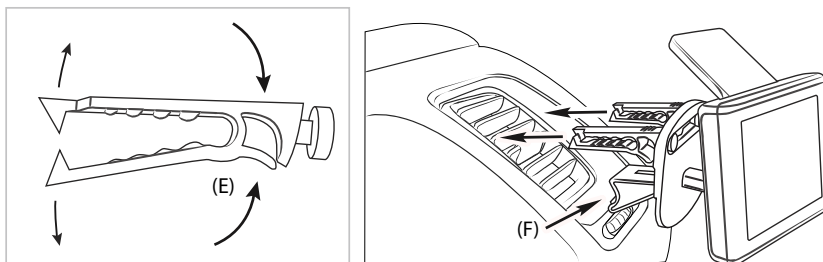
2. Attach the vent mounting clips (A) to the back of the pedestal (B) with the vent clips correctly positioned with the flat sides facing up.



3. Attach your GPS device to the pedestal mount ball head by firmly pushing ball (C) into the socket on the back of the device (D) as pictured below.

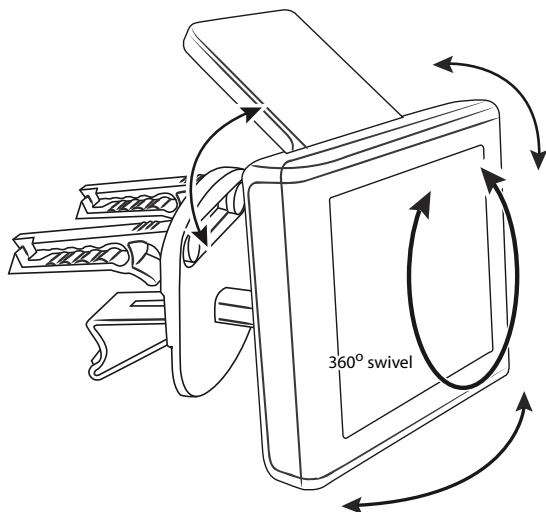


4. Pinch the vent mounting clips (E) so that the teeth open and gently insert vent pedestal into vent louvres until the mounting clips are attached to the fin/blade of the vent. Adjust the spacing between the mounting clips if necessary. Adjust the support leg (F) vertically until it rests firmly along the bottom of the vent or dash surface below the vent. It will need to support the weight of the cradle and device.



Warning: Arkon is not responsible if the vent louvres become damaged as a result of the installation or use of this mount.

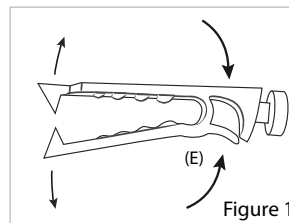
5. Position the your GPS device as desired. To remove, hold the pedestal with one hand firmly and then pull your GPS Device away from pedestal with your free hand.



Removal of Vent Clips

When removing the pedestal, use the utmost care when trying to remove the vent clips so as not to damage your vehicle.

1. Remove the device from the vent mount assembly.
2. Pinch the vent clips at point E as shown (fig. 1) so that the teeth open.



3. Carefully slide the pedestal from the vent fin/blade. Make sure the teeth of the vent clips are open enough so that they clear without damaging the vent. Please call our technical service department if you are having trouble removing the vent clips at (626) 254-9005.

WARNING:

Do not install Arkon products over an air bag cover or within the air bag deployment zone. Arkon Resources, Inc. assumes no responsibility of liability for injury or death as a result of car crashes and/or air bag deployment.

Arkon Resources, Inc. is not responsible for any damages caused to your car, your device, or yourself due to the installation or use of the pedestal mount.

ARKON RESOURCES INC.

The Mobile Mounting Specialists®

Consumer Hotline:
(USA) (800) 841-0884
(INT'L) (626) 254-9005

www.arkon.com
Arcadia, CA 91006 USA
Made in Taiwan

Mon-Fri. 9am-5pm, PST © Copyright 2007 Arkon Resources, Inc.