

# FSM088-TS-2 | 301-0138-01 15" Flexible Steel Gooseneck Mount for FlipStart® PC



FSM088-TS-2 FlipStart Mount  
(Cradle shown attached to pedestal)

### Package Contents:

- (1) CM088-TS-2 - 15" Universal flexible steel gooseneck mounting arm  
Includes seat bracket, floor/console base, threaded screws, and screw caps.
- (1) CC004-FSPC - FlipStart PC custom cradle
- (2) Slim battery spacer clips -  
Only for use with FlipStart battery Model: E-2160

Tool required for seat mounting - socket wrench.  
Tools required for floor or console mounting - drill and screwdriver.

**Note:** Do not twist the cradle or device while mounted on top of the pedestal to adjust the steel shaft as this can break the dual T-slots.

**Precaution:** Drilling only required when the permanent install is used. Consult with a mobile install professional prior to installation. Arkon Resources, Inc. and Vulcan Portals, Inc. assume no responsibility of liability for damage to your vehicle.

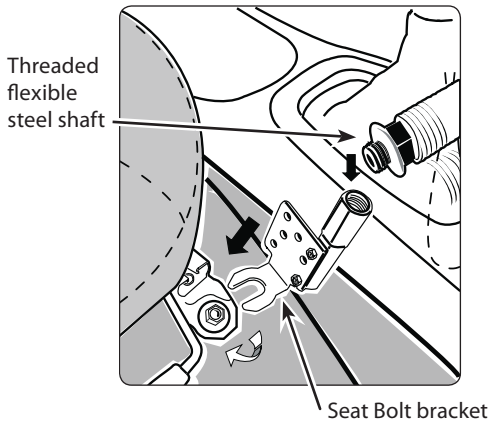
Do not install this pedestal in an airbag deployment zone or where windshield vision may be impaired.

## Installation Instructions

### Passenger Seat Bolt Mounting (No drilling required)

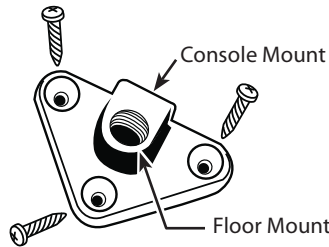
For a simple mount that can be easily moved to another vehicle, install using the passenger seat bolt.

- Step 1. Screw the flexible steel shaft into the Seat Bolt Bracket.
- Step 2. With a socket wrench, loosen the passenger seat bolt, insert the Seat Bolt Bracket, and retighten the seat bolt.

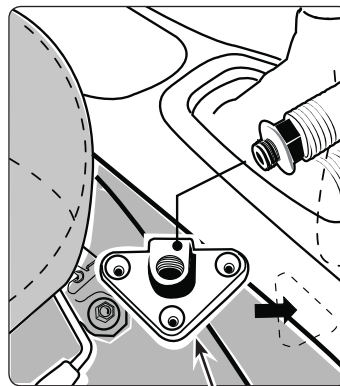


### Floor or Console Mounting (Optional)

For a more permanent mount, connect the Floor / Console mount bracket to the floor or console. This will require drilling into your vehicle's interior surface.



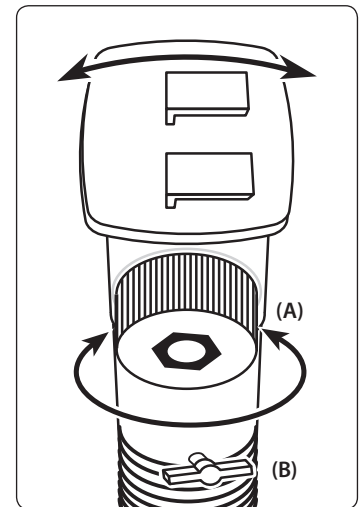
- Step 1. Position the Floor / Console Bracket and drill into the floor or console.
- Step 2. Attach the Floor / Console Bracket with screws and cover with plastic caps.
- Step 3. Screw the steel shaft into the Floor / Console Bracket.



Floor or Console bracket

### Pedestal Head Adjustments

- Step 1. Adjust the steel shaft by bending with both hands to the desired location of the dual T head.
- Step 2. Use the adjustment knob (A) and wing nut (B) on the pedestal head to swivel or rotate the head position if necessary.



- Step 3. Align the dual T slots on the FlipStart cradle to the dual T tabs on the pedestal head. (See diagram on the reverse side.)

\*See reverse side for more installation options.

**WARNING:** Drilling into the floor or console can permanently damage the vehicle. Use caution and consult a mobile install professional to avoid drilling into the gas tank, electrical system or other highly sensitive vehicle components.

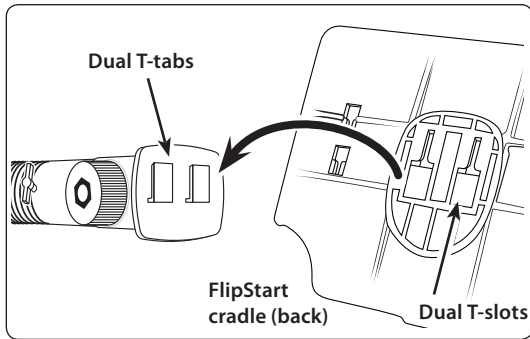
Arkon Resources, Inc. and Vulcan Portals, Inc. are not responsible for any damages caused to your car, your device, or yourself due to the installation or use of the pedestal mount.

**ARKON**  
RESOURCES INC. The Mobile Mounting Specialists™

Consumer Hotline:  
(USA) (800) 841-0884  
(INT'L) (626) 254-9005  
Mon-Fri. 9am-5pm, PST

[www.arkon.com](http://www.arkon.com)  
Arcadia, CA 91006 USA  
Made in Taiwan

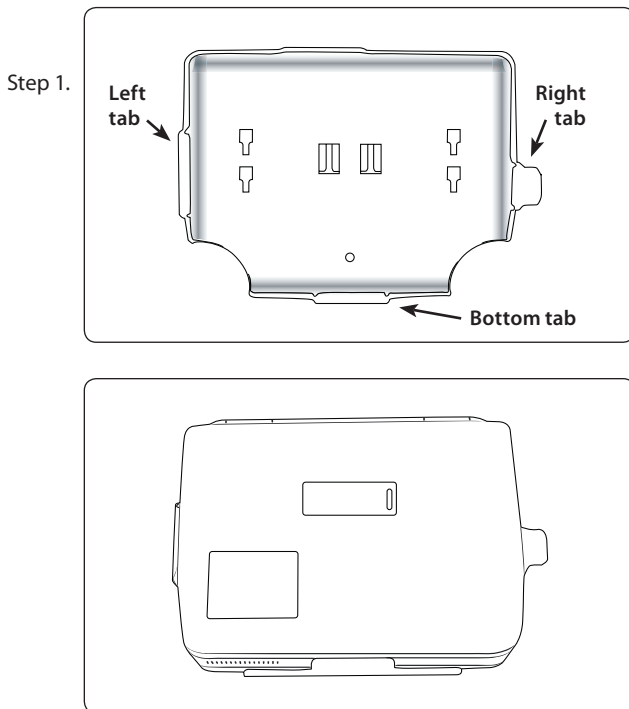
© Copyright 2007 Arkon Resources, Inc.



## FlipStart Insert / Removal Instructions

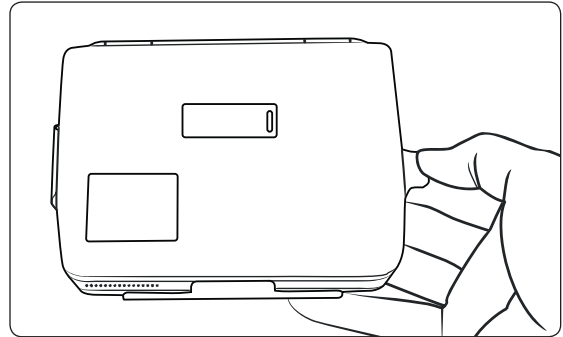
### Device Insertion

Firmly grasp the cradle in one hand and gently place the FlipStart device into the cradle until the left, right, and bottom tabs are securely gripping it.



### Device Removal

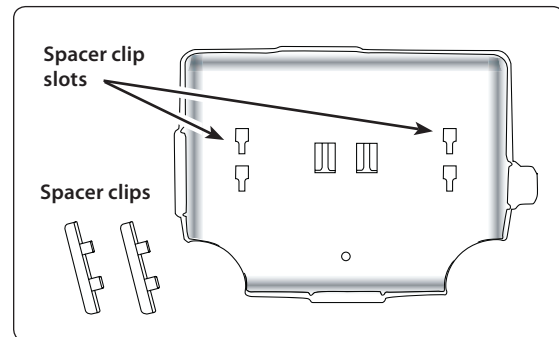
Step 1. Push the right cradle tab down to release and gently lift the FlipStart out from the cradle.



### Slim battery spacer clips

When using the optional FlipStart slim battery Model E-2160, use the included spacer clips to keep the device in the cradle correctly.

To attach the clips to the cradle, insert the spacer clips into the slots on the front of the cradle and slide the clips down.



\*See reverse side for mounting pedestal instructions.



### WARNING:

Drilling into the floor or console can permanently damage the vehicle. Use caution and consult a mobile install professional to avoid drilling into the gas tank, electrical system or other highly sensitive vehicle components.

Arkon Resources, Inc. and Vulcan Portals, Inc. are not responsible for any damages caused to your car or yourself due to the installation of the pedestal mount.

**ARKON**  
RESOURCES INC.

The Mobile Mounting Specialists™

Consumer Hotline:  
(USA) (800) 841-0884  
(INT'L) (626) 254-9005

Mon-Fri. 9am-5pm, PST

[www.arkon.com](http://www.arkon.com)  
Arcadia, CA 91006 USA  
Made in Taiwan

© Copyright 2007 Arkon Resources, Inc.