



FSM084-2-AMPS FlipStart Mount
(Cradle shown attached to pedestal)



AP032 Adapter Plate
(May already be attached to pedestal)

Package Contents:

- (1) CM084-2-AMPS - 9" Universal flexible mounting arm
Includes threaded screws (3), screw caps (3), and machine screws (4) for connecting to AMPS pattern
- (1) AP032 - Dual T-tab to AMPS horizontal adapter plate
- (1) CC004-FSPC - FlipStart PC custom cradle
- (2) Slim battery spacer clips -
Only for use with FlipStart battery Model: E-2160

Tools required for floor or console mounting - drill and screwdriver.

Note: Do not twist the cradle or device while mounted on top of the pedestal to adjust the steel shaft as this can break the dual T-slots.

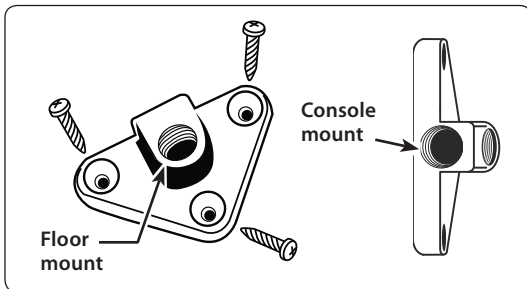
Precaution: This solution requires drilling which may damage your vehicle. Consult with a mobile install professional prior to installation. Arkon Resources, Inc. and Vulcan Portals, Inc. assume no responsibility of liability for damage to your vehicle.

Do not install this pedestal in an airbag deployment zone or where windshield vision may be impaired.

Installation Instructions

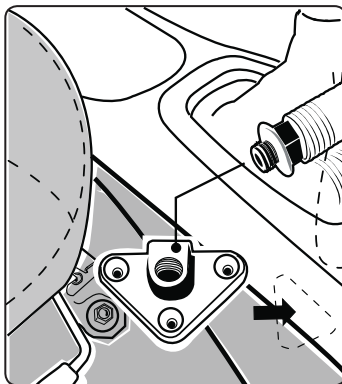
Floor or Console Mounting

Step 1. Find a safe, flat location on the interior of the vehicle's floor or console to mount the pedestal.

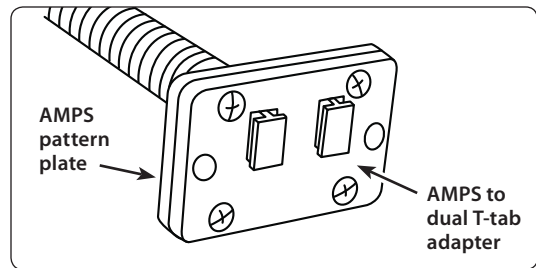


Step 2. Using the base as a template, drill three 1/8" holes and attach base with the included self-tapping screws. Snap screw caps in place over the screws on the base.

Step 3. Screw the 9" flexible steel arm securely into the base.

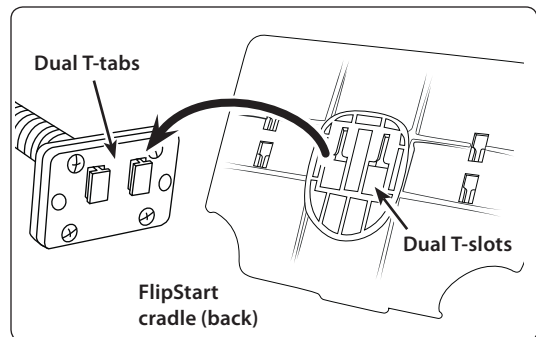


Step 5. Attach the 4 hole AMPS pattern plate (if necessary) to the other end of the mounting arm with the included large hex nuts. Fasten the AMPS to dual T-tab adapter plate to the AMPS pattern plate with the included screws and nuts.



Step 6. Adjust the gooseneck by bending with both hands to the desired location of the FlipStart cradle.

Step 7. Attach the dual T-slots on the back of the FlipStart cradle to the dual T-tab adapter plate.



*See reverse side for more installation options.

WARNING: Drilling into the floor or console can permanently damage the vehicle. Use caution and consult a mobile install professional to avoid drilling into the gas tank, electrical system or other highly sensitive vehicle components.

Arkon Resources, Inc. and Vulcan Portals, Inc. are not responsible for any damages caused to your car, your device, or yourself due to the installation or use of the pedestal mount.

ARKON
RESOURCES INC. *The Mobile Mounting Specialists™*

Consumer Hotline:
(USA) (800) 841-0884
(INT'L) (626) 254-9005
Mon-Fri. 9am-5pm, PST

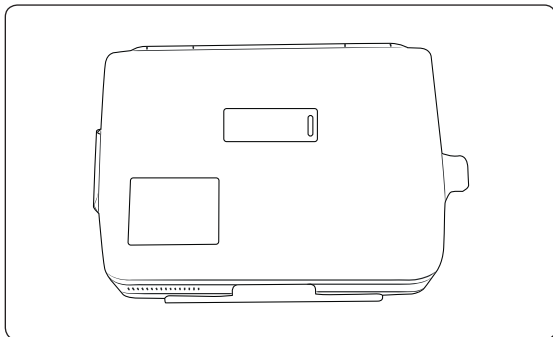
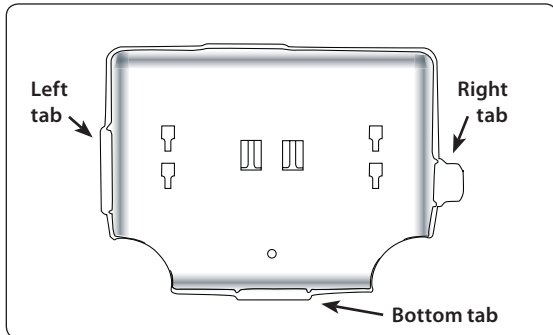
www.arkon.com
Arcadia, CA 91006 USA
Made in Taiwan

© Copyright 2007 Arkon Resources, Inc.

FlipStart Insert / Removal Instructions

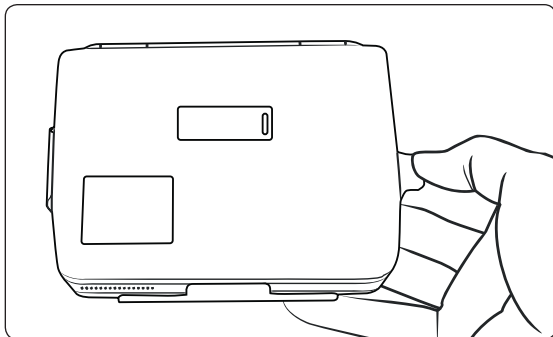
Device Insertion

Step 1. Firmly grasp the cradle in one hand and gently place the FlipStart device into the cradle until the left, right, and bottom tabs are securely gripping it.



Device Removal

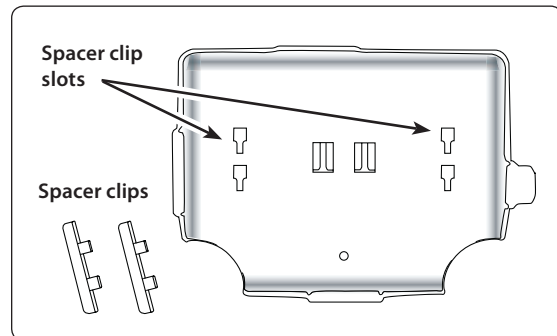
Step 1. Push the right cradle tab down to release and gently lift the FlipStart out from the cradle.



Slim battery spacer clips

When using the optional FlipStart slim battery Model E-2160, use the included spacer clips to keep the device in the cradle correctly.

To attach the clips to the cradle, insert the spacer clips into the slots on the front of the cradle and slide the clips down.



*See reverse side for mounting pedestal instructions.



WARNING:

Drilling into the floor or console can permanently damage the vehicle. Use caution and consult a mobile install professional to avoid drilling into the gas tank, electrical system or other highly sensitive vehicle components.

Arkon Resources, Inc. and Vulcan Portals, Inc. are not responsible for any damages caused to your car or yourself due to the installation of the pedestal mount.

ARKON
RESOURCES INC.

The Mobile Mounting Specialists™

Consumer Hotline:
(USA) (800) 841-0884
(INT'L) (626) 254-9005

Mon-Fri. 9am-5pm, PST

www.arkon.com
Arcadia, CA 91006 USA
Made in Taiwan

© Copyright 2007 Arkon Resources, Inc.