

FSM017-L-2 | 301-0136-01 FlipStart® Windshield / Console Mount Kit



FSM017-L-2 FlipStart Mount
(Cradle shown attached to
pedestal without spacer clips)

AP020 Disc
(Optional mounting)

Package Contents:

- (1) CM017-L-2 - Robust base windshield pedestal
- (1) CC004-FSPC - FlipStart PC custom cradle
- (1) AP020 - Ø 90 mm adhesive disc
For optional dash/console mounting
- (2) Slim battery spacer clips -
Only for use with FlipStart slim battery Model: E-2160
- (1) Alcohol cleaning pad

No Tools Required for installation.

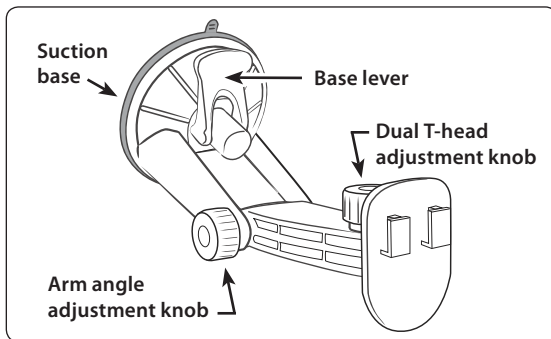
*See reverse side for more installation options.

! Do not install this pedestal in an airbag deployment zone or where windshield vision may be impaired.

Installation Instructions

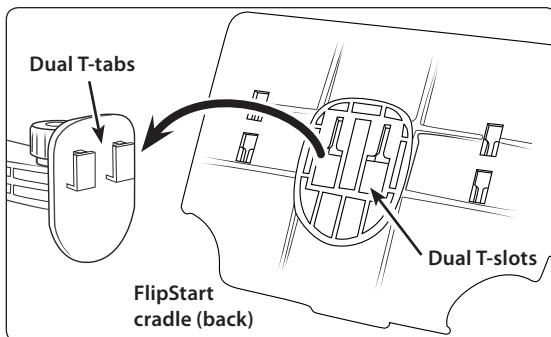
Windshield Mounting

Step 1. Find a safe location on the interior of the vehicle's windshield to mount the pedestal. Firmly push the suction base against the windshield and flip the base lever down to the locked position. See diagram below.



Step 2. Adjust the angle of the pedestal arm by loosening / tightening the knob on the base to the desired placement angle.

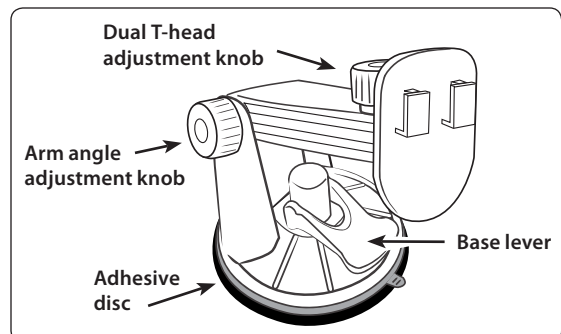
Step 3. Attach the dual T-slots on the FlipStart cradle to the dual T-head. Adjust the angle of the head by loosening / tightening the knob behind the dual T-head. See diagram below.



Dash or Console Mounting

Step 1. Find a safe location on the dash or console of your vehicle to attach the adhesive disc. Make sure the area is clean and dry. Use the included alcohol pad to clean the mounting surface if necessary. Remove the adhesive backing under the disc and firmly press the disc in place.

Step 2. Place the pedestal's suction base over the center of the circular disc. While firmly holding the pedestal on top of the disc, flip the base lever down to the locked position. See diagram below.



Step 3. Adjust the angle of the pedestal arm by loosening / tightening the knob at the base to the desired placement angle.

Step 4. Attach the dual T-slots on the FlipStart cradle to the dual T-head. Adjust the angle of the head by loosening / tightening the knob behind the dual T-head. See diagram to the left.

Pedestal Removal

To remove mounting disc from dash or console surface, apply isopropyl alcohol or Goo-Gone™ solution to adhesive base. This will loosen adhesive grip from applied surface.

Tip: Applying low heat with a blow dryer to adhesive base can help speed up the adhesive removal process.



WARNING:

Do not install Arkon products over an airbag cover or within the airbag deployment zone. Arkon Resources, Inc. and Vulcan Portals, Inc. assume no responsibility of liability for injury or death as a result of car crashes and/or airbag deployment.

Arkon Resources, Inc. and Vulcan Portals, Inc. are not responsible for any damages caused to your car, your device, or yourself due to the installation or use of the pedestal mount.

ARKON
RESOURCES INC.

The Mobile Mounting Specialists™

Consumer Hotline:

(USA) (800) 841-0884

(INT'L) (626) 254-9005

Mon-Fri. 9am-5pm, PST

www.arkon.com

Arcadia, CA 91006 USA

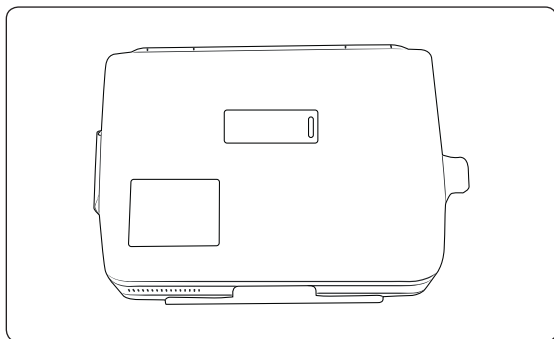
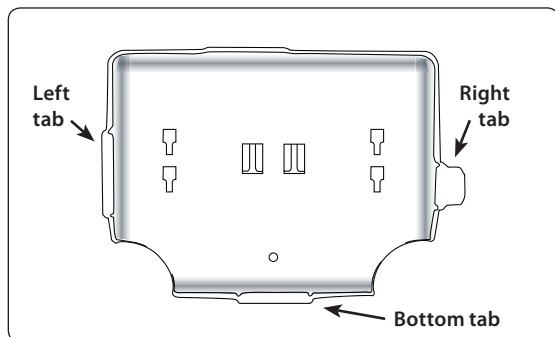
Made in Taiwan

© Copyright 2007 Arkon Resources, Inc.

FlipStart Insert / Removal Instructions

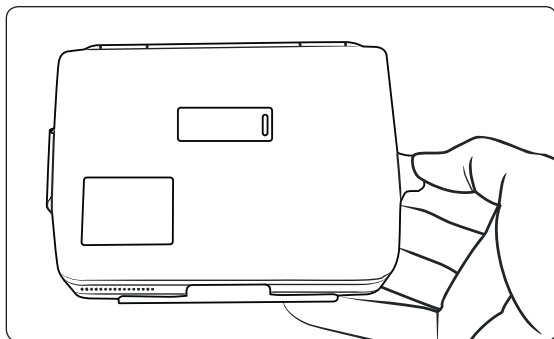
Device Insertion

Step 1. Firmly grasp the cradle in one hand and gently place the FlipStart device into the cradle until the left, right, and bottom tabs are securely gripping it.



Device Removal

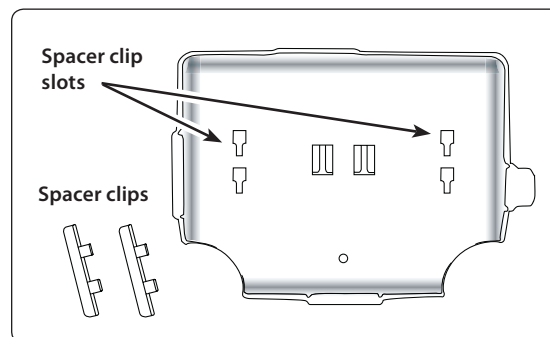
Step 1. Push the right cradle tab down to release and gently lift the FlipStart out from the cradle.



Slim battery spacer clips

When using the optional FlipStart slim battery Model E-2160, use the included spacer clips to keep the device in the cradle correctly.

To attach the clips to the cradle, insert the spacer clips into the slots on the front of the cradle and slide the clips down.



*See reverse side for mounting pedestal instructions.



WARNING:

Do not install Arkon products over an airbag cover or within the airbag deployment zone. Arkon Resources, Inc. and Vulcan Portals, Inc. assume no responsibility of liability for injury or death as a result of car crashes and/or airbag deployment.

Arkon Resources, Inc. and Vulcan Portals, Inc. are not responsible for any damages caused to your car or yourself due to the installation of the pedestal mount.

ARKON
RESOURCES INC.

The Mobile Mounting Specialists™

Consumer Hotline:
(USA) (800) 841-0884
(INT'L) (626) 254-9005

Mon-Fri. 9am-5pm, PST

www.arkon.com
Arcadia, CA 91006 USA
Made in Taiwan

© Copyright 2007 Arkon Resources, Inc.