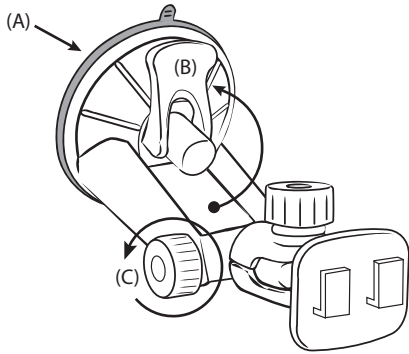


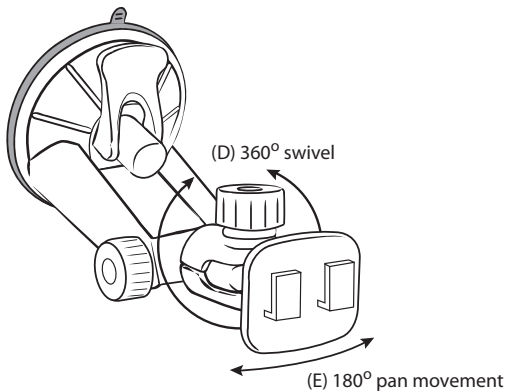
Windshield Mounting Pedestals with Pan-Swivel Head - 5PS and 7PS Series

Windshield installation

Step 1. Push the pedestal suction cup (A) firmly to the windshield. Flip the lever (B) toward base to secure the suction cup. Adjust the angle of the arm by loosening the adjustment knob (C).

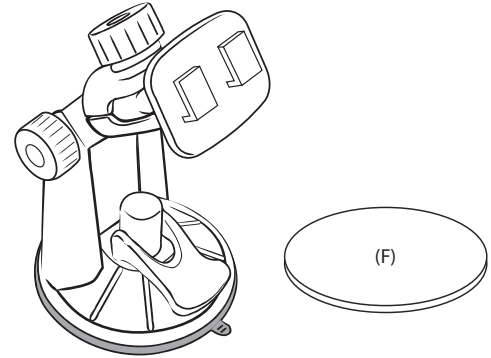


Step 2. Adjust the position of the pedestal head head (E) as needed. Adjust the angle and rotation of the pedestal head by loosening the adjustment knob (D). Pedestal head can swivel 360° and pan 180° to accommodate nearly any position.

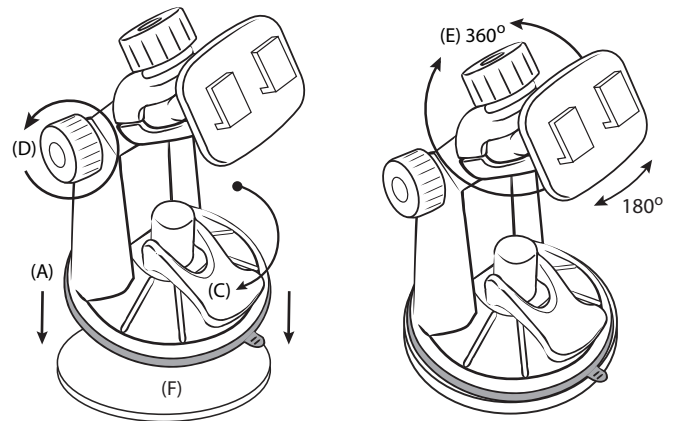


Dash installation (Optional, when disc is included)

Step 1. Locate a safe flat surface on the dash or console to mount the pedestal. Clean the dash with the alcohol pad provided. Dry the surface before applying the adhesive disc (F).



Step 2. Push the pedestal suction cup (A) down onto the disk (F). Flip the lever (B) down to secure the suction cup. Adjust the angle of the arm by loosening the adjustment knob (C). Adjust the angle and rotation of the pedestal head by loosening the adjustment knob (D) and (E).



CM018-5PS-1



CM018-5PS-2



CM019-7PS-1



CM019-7PS-2



CM017-5PS-1



CM017-5PS-2



MP070-7PS-1



MP070-7PS-2

⚠ Safety Precautions

Do not install Arkon products over an air bag cover or within the air bag deployment zone. Arkon Resources, Inc. assumes no responsibility of liability for injury or death as a result of car crashes and/or air bag deployment.

Arkon Resources, Inc. is not responsible for any damages caused to your car, your device, or yourself due to the installation or use of the pedestal mount.

ARKON
RESOURCES INC.

The Mobile Mounting Specialists™

Consumer Hotline:
(USA) (800) 841-0884
(INT'L) (626) 254-9005
Mon-Fri. 9am-5pm, PST

www.arkon.com
Arcadia, CA 91006 USA
Made in Taiwan

© Copyright 2007 Arkon Resources, Inc.