

CM160 | Universal Mobile Phone Vent Mount



CM030 Universal PDA/MP3 Cradle



CM047-S Vent Mount Pedestal (fully assembled)

Package Contents:

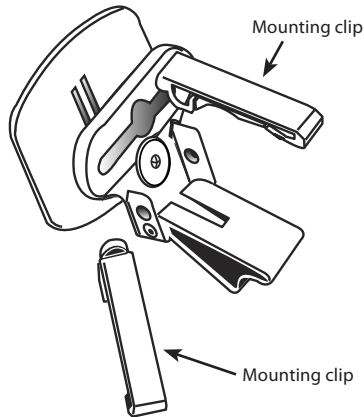
- (1) CM030 Universal Mobile Phone Cradle
- (1) CM047-S Vent Mount Assembly

NOTES:

1. This vent mount kit is designed for **permanent and semi-permanent** use only. This assembly can be difficult to remove from your vent louvres. Be careful if removing the vent assembly.
2. This vent mount kit is not compatible with circular air vents.

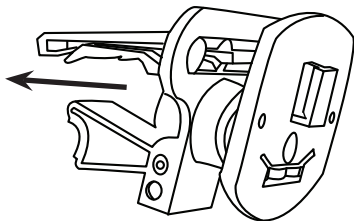
Installation Instructions

Step 1. Choose a suitable vent location for installation. Attach the vent mounting clips to the back of the pedestal with the vent clips correctly positioned with the flat sides facing up.

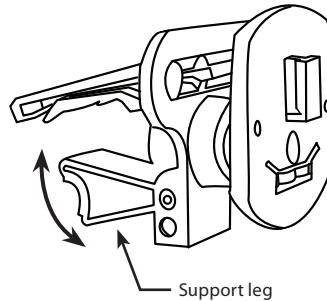


Step 2. Gently insert vent pedestal into vent louvres until the mounting clips are attached to the fin/blade of the vent. Adjust the spacing between the mounting clips if necessary.

Warning: Arkon is not responsible if the vent louvres become damaged as a result of the installation or use of this mount.



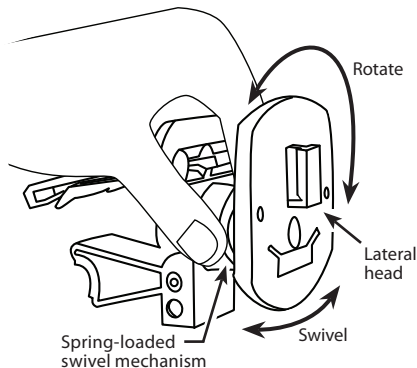
Step 3. Adjust the support leg vertically until it rests firmly along the bottom of the vent or dash surface below the vent. It will need to support the weight of the cradle and device.



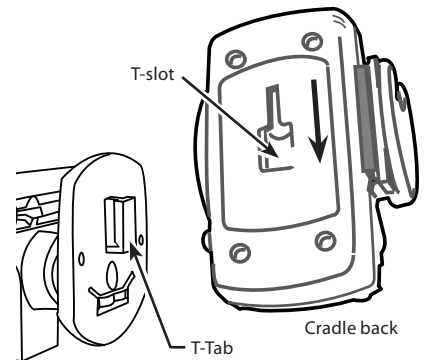
If necessary, move the support leg to the alternate bracket holes.

Step 4. If necessary, you can rotate the lateral head by holding the swivel mechanism and gently pulling and rotating the head to the desired angle.

Warning: Do not attempt to pull out the lateral head to rotate without first holding the pedestal for support. Pulling on the head and assembly can damage your louvres.



Step 5. While holding the pedestal's swivel mechanism, align the T-tab on the pedestal face to the T-slot on the back of the cradle and slide down.



Removal of Vent Mount Clips

Warning: The vent mount assembly can be difficult to remove from your vent louvres.

Step 1. Remember to use the utmost care when trying to remove the vent assembly so as not to damage your vehicle.

Step 2. Remove the cradle from the vent mount assembly.

Step 3. Carefully slide the mounting clips inward as close together as possible to help remove the pedestal from the clips at the center hole.

Step 4. Carefully pinch the clip and angle the clip off of the vent fin/blade.

Step 5. If are unable to remove the vent mount clips, please call our technical service department at (626) 254-9005.

Safety Precautions

Do not reposition the pedestal while driving. Arkon Resources, Inc. does not promote the adjustment of hand-held devices except when the vehicle is safely parked or stopped.

Arkon is not responsible for any damages caused to your car, your device, or yourself due to the installation or use of the pedestal mount.

ARKON
RESOURCES INC.

The Mobile Mounting Specialists™

Consumer Hotline:
(USA) (800) 841-0884
(INT'L) (626) 254-9005

www.arkon.com
Arcadia, CA 91006 USA
Made in Taiwan

Mon-Fri. 9am-5pm, PST © Copyright 2007 Arkon Resources, Inc.