

CM088-TS-2 | 15" Flexible Steel Gooseneck Mount



CM088-TS-2 15" Flexible Steel "Gooseneck" Mount
(shown with Seat Bolt Bracket attached)

Package Contents:

- (1) Seat Bolt Bracket
- (1) Floor / Console Bracket
- (1) Flexible Steel Shaft with Plastic Tubing
- (1) Dual T Pattern Head
- (4) Screws
- (4) Plastic Caps

NOTES:

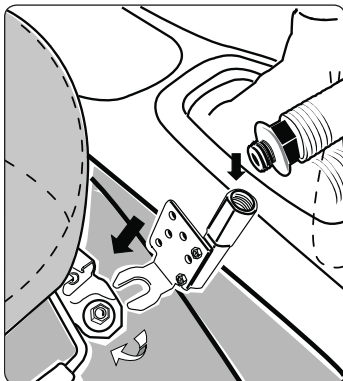
1. Tool for Seat Bolt mounting - socket wrench
2. Tools for optional Floor or Console mounting - drill and screwdriver
3. Do not twist the cradle or device while mounted on top of the pedestal to adjust the steel shaft as this can break the dual T grooves.

Installation Instructions

Passenger Seat Bolt Mounting

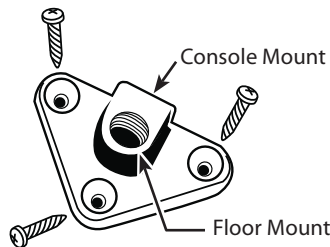
For a simple mount that can be easily moved to another vehicle, install using the passenger seat bolt.

- Step 1. Screw the flexible steel shaft into the Seat Bolt Bracket.
- Step 2. With a socket wrench, loosen the passenger seat bolt, insert the Seat Bolt Bracket, and retighten the seat bolt.

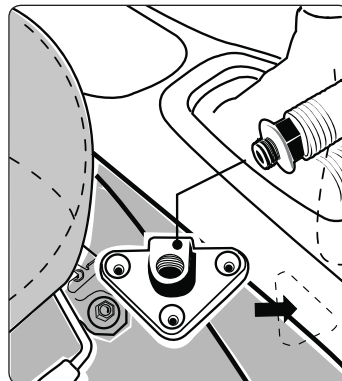


Floor or Console Mounting

For a more permanent mount, connect the Floor / Console Mount Bracket to the floor or console. This will require drilling into your vehicle's interior surface.

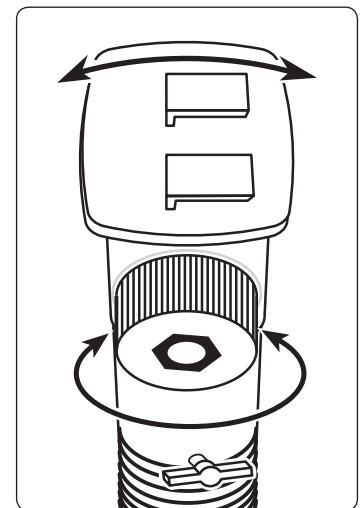


- Step 1. Position the Floor / Console Bracket and drill into the floor or console.
- Step 2. Attach the Floor / Console Bracket with screws and cover with plastic caps.
- Step 3. Screw the steel shaft into the Floor / Console Bracket.



Pedestal Head Adjustments

- Step 1. Adjust the steel shaft by bending with both hands to the desired location of the male dual T head.
- Step 2. Use the adjustment knob and wing nut on the pedestal head to swivel or rotate the head position if necessary.
- Step 3. Align the female dual T grooves on the cradle to the dual Ts on the pedestal head. Insert device.



Safety Precautions

Do not reposition the pedestal while driving. Do not install Arkon products over an airbag cover or within the airbag deployment zone. Arkon Resources, Inc. assumes no responsibility of liability for injury or death as a result of car crashes and/or airbag deployment.

Arkon is not responsible for any damages caused to your car, your device, or yourself due to the installation or use of the pedestal mount. We suggest getting the assistance of a professional installer if you need help installing this mount.

ARKON
RESOURCES INC.

The Mobile Mounting Specialists™

Consumer Hotline:

(USA) (800) 841-0884

(INT'L) (626) 254-9005

Mon-Fri. 9am-5pm, PST

www.arkon.com

Arcadia, CA 91006 USA

Made in Taiwan

© Copyright 2007 Arkon Resources, Inc.