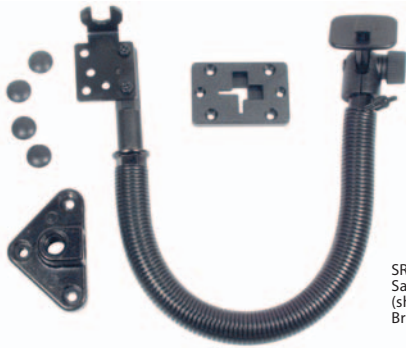


CM088-TS-1 | Universal Car Mount Kit



SR088-TS-1
Satellite Radio Car Mount Kit
(shown with Seat Bolt
Bracket attached)

Package Contents:

- (1) Seat Bolt Bracket
- (1) Floor / Console Bracket
- (1) 15" Flexible Steel Gooseneck with Plastic Tubing
- (1) Single T Head
- (1) AP012 2-Way T-Slot to 4-Hole AMPS Adapter Plate
- (4) Screws and (4) Plastic Caps

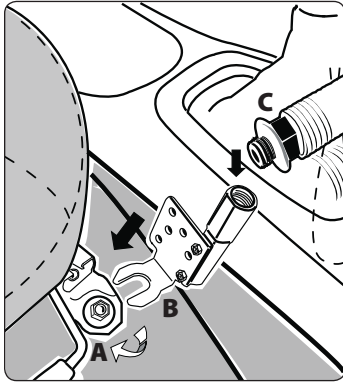
TOOLS REQUIRED:

- 1. Socket wrench required for seat bolt mounting.
- 2. Drill and screwdriver required for floor or console mounting.

Installation Instructions

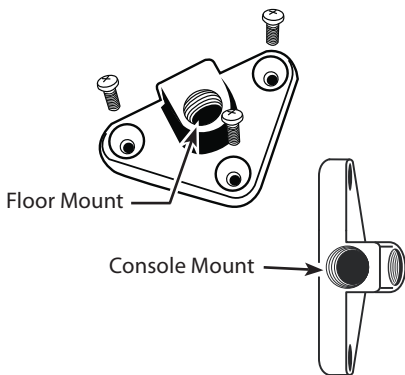
Passenger Seat Bolt Mounting

Step 1. To install using the passenger seat bolt, loosen the seat bolt (A) with a socket wrench. Insert the Seat Bolt Bracket (B) and retighten the seat bolt. Tighten the 15" Flexible Steel Gooseneck into the bracket. (C)



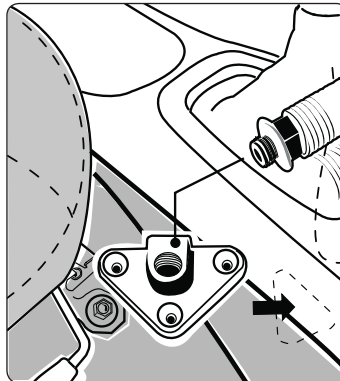
Floor or Console Mounting

For a more permanent mount, connect the Floor / Console Mount Bracket to the floor or console. This will require drilling into your vehicle's interior surface.



WARNING: Please consult an installation professional prior to drilling into your floor or console surface. Arkon is not responsible for any damages caused to your car or yourself due to the installation of this car mount kit.

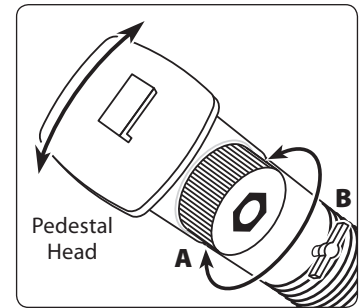
- Step 1. Position the Floor / Console Bracket and drill into the floor or console.
- Step 2. Attach the Floor / Console Bracket with screws and cover with plastic caps.
- Step 3. Screw the 15" Flexible Steel Gooseneck into the Floor / Console Bracket.



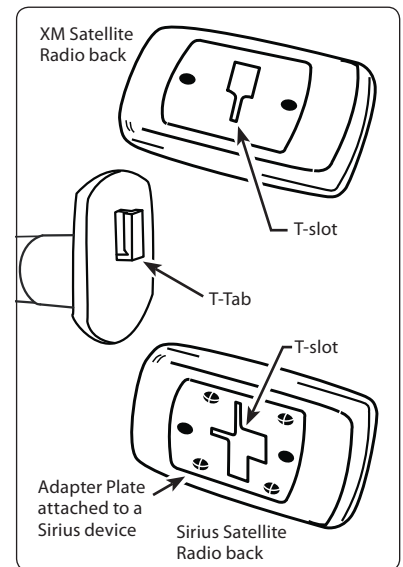
Pedestal Head Adjustments

- Step 1. Adjust the gooseneck by bending with both hands to the desired location of the single T head.
- Step 2. Use the adjustment knob (A) and wing nut (B) on the pedestal head to swivel or rotate the head position if necessary.

Warning: Do not attempt to twist the device or cradle while attached to the pedestal head as this can break the T-slot.



- Step 3. For Sirius or other devices without a T-slot, attach the 4 hole AMPS pattern adapter plate to the back with the included screws.
- Step 4. While holding the pedestal head, align the T-tab on the pedestal face to the T-slot on the back of the device or adapter plate (Sirius only) and slide in firmly.



Safety Precautions

Do not reposition the pedestal while driving. Do not install Arkon products over an airbag cover or within the airbag deployment zone. Arkon Resources, Inc. assumes no responsibility of liability for injury or death as a result of car crashes and/or airbag deployment.

Arkon is not responsible for any damages caused to your car, your device, or yourself due to the installation or use of the flexible arm mount. We suggest getting the assistance of a professional installer if you need help installing this mount.

ARKON
RESOURCES INC.

The Mobile Mounting Specialists™

Consumer Hotline:
(USA) (800) 841-0884
(INT'L) (626) 254-9005
Mon-Fri. 9am-5pm, PST

www.arkon.com
Arcadia, CA 91006 USA
Made in Taiwan

© Copyright 2007 Arkon Resources, Inc.