

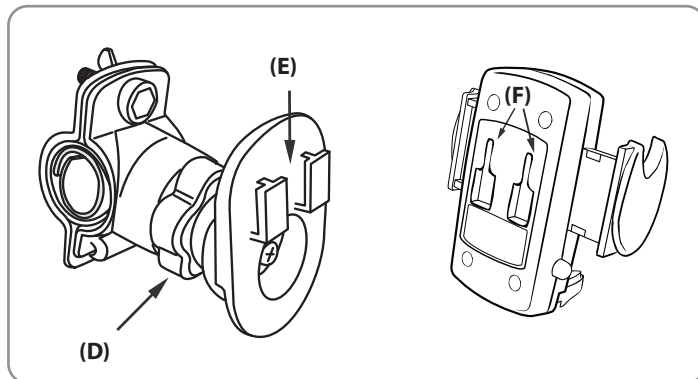
# CM032-ST-2 & CM032-ST-AMPS | Bicycle Handlebar Swivel Tightening Pedestal



CM032-ST-2

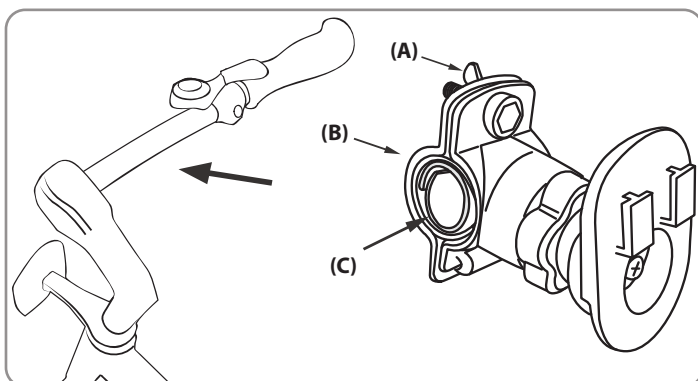


CM032-ST-AMPS



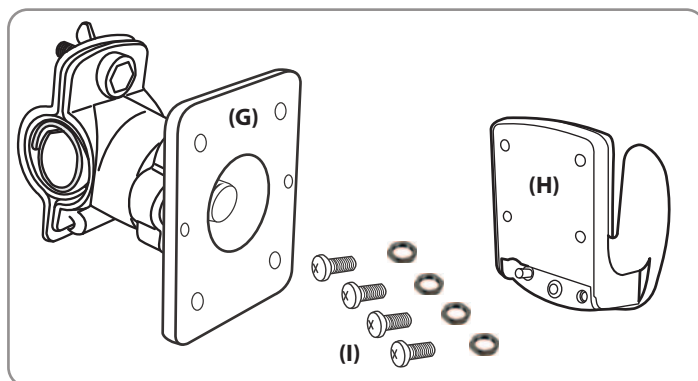
## Pedestal Adjustment and Cradle Attachment (Cradle Sold Separately)

- Step 1. Adjust the lateral angle and the 360° swivel by loosening the swivel tightening ring (D).
- Step 2. Attach the pedestal's dual T-tab head (E) into the T-slots (F) on the back of the cradle.



## Bicycle Handlebar Mounting

- Step 1. Choose a suitable location on the handlebars of your bicycle in which to mount the pedestal.
- Step 2. Unscrew the wing nut (A) and remove the screw in order to open the notch cover plate (B) so pedestal can be placed around the handlebars.
- Step 3. Wrap the rubber rings (C) around the handlebar and reclip the notch cover plate (B) around the rubber rings. Tighten the assembly by twisting the wing nut until it stops.



## AMPS Configuration Instructions (Cradle Sold Separately)

- Step 1. Attach the AMPS pedestal head (G) to the device or device cradle (H), having the 4-hole AMPS pattern, by using a screwdriver to secure the pedestal head with the nuts and screws (I) to the cradle.

## Safety Precautions

To insure that your device is secured to the pedestal, Arkon Resources, Inc. recommends using a strap to secure your device when using with Arkon cradles, universal cradles, or other products. This pedestal is not designed for off-road use or bumpy roads. If not secured properly, your device may fly off and become damaged.

Arkon Resources, Inc. is not responsible for any damages caused to your bicycle, your device, or yourself due to the installation or use of the pedestal mount.

**ARKON**  
RESOURCES INC.

The Mobile Mounting Specialists™

Consumer Hotline:  
(USA) (800) 841-0884  
(INT'L) (626) 254-9005  
Mon-Fri. 9am-5pm, PST

[www.arkon.com](http://www.arkon.com)  
Arcadia, CA 91006 USA  
Made in Taiwan

© Copyright 2007 Arkon Resources, Inc.