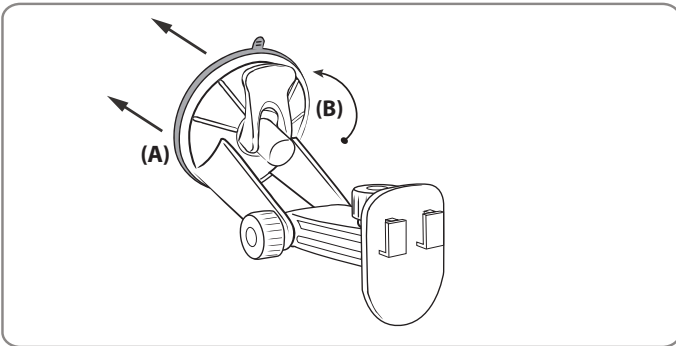
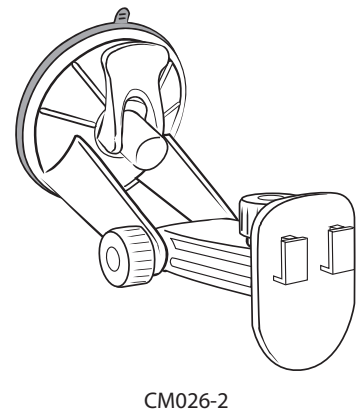
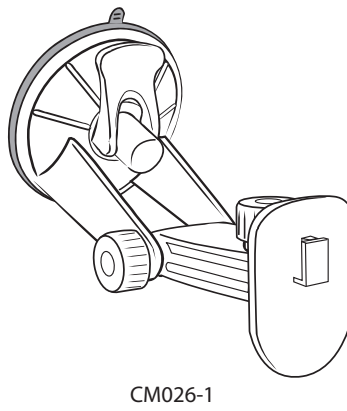
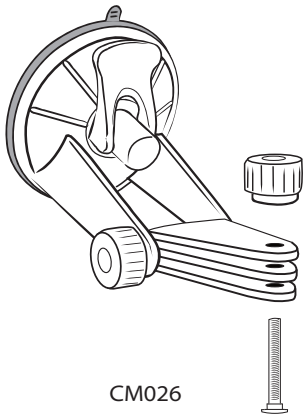
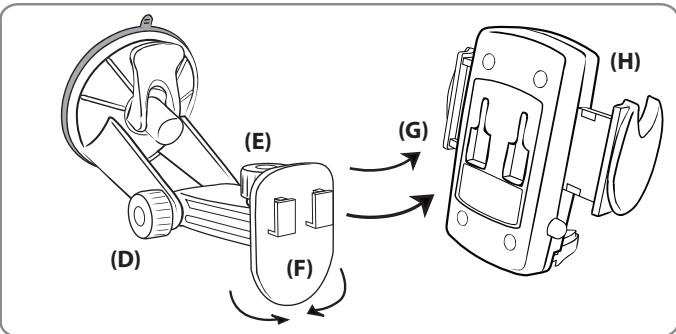


CM026 | 5" Windshield Suction Pedestal



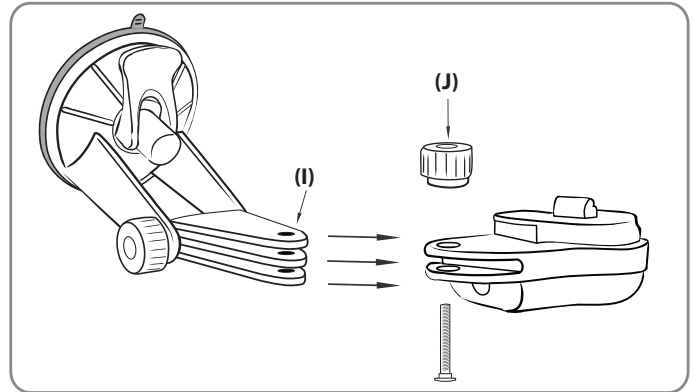
Windshield Installation

- Step 1. Push the pedestal suction cup (A) firmly to the windshield. Flip the lever (B) down to secure the suction cup.



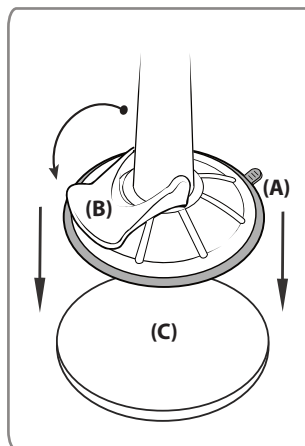
Gooseneck and Dual-T Head Instructions

- Step 1. Adjust the angle of the pedestal head by loosening the adjustment knob (D).
- Step 2. Adjust the lateral angle of the pedestal head by loosening the adjustment knob (E).
- Step 3. Attach the device cradle (H) to the dual-T tab head (F) by inserting the T-tabs into the T-slots (G). (Cradles are sold separately and vary depending on the device that you are using)



CM026 Instructions (For use with Tomtom® GO Module)

- Step 1. Attach the pedestal to the Tomtom® GO Module by fitting the tip of the pedestal (I) to the module so that the holes align.
- Step 2. Insert the screw from beneath. Screw on the swivel adjustment knob (J) to secure the module to the pedestal. Use adjustment knob (J) to change the lateral angle of the module.



Dash Installation (Optional, when disc is included)

- Step 1. Locate a safe flat surface on the dash or console to mount the pedestal. Clean the dash with the alcohol pad provided. Let the dash surface dry before applying the adhesive disc (C).
- Step 2. Push the pedestal suction cup (A) firmly to the disc (C). Flip the lever (B) down to secure the suction cup.



Safety Precautions

Do not install Arkon products over an air bag cover or within the air bag deployment zone. Arkon Resources, Inc. assumes no responsibility of liability for injury or death as a result of car crashes and/or air bag deployment.

Arkon Resources, Inc. is not responsible for any damages caused to your car, your device, or yourself due to the installation or use of the pedestal mount.

ARKON
RESOURCES INC.

The Mobile Mounting Specialists™

Consumer Hotline:
(USA) (800) 841-0884
(INT'L) (626) 254-9005
Mon-Fri. 9am-5pm, PST

www.arkon.com
Arcadia, CA 91006 USA
Made in Taiwan

© Copyright 2007 Arkon Resources, Inc.