



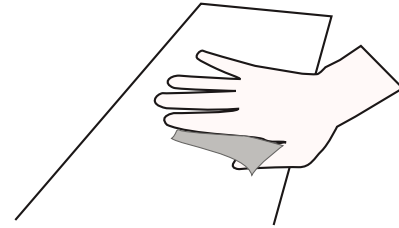
**CM024-2**  
(CM024-1 also available)



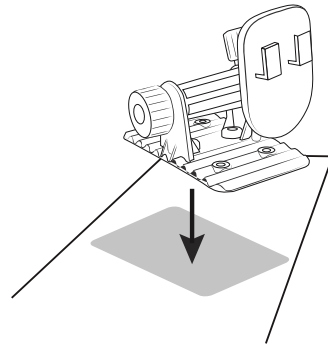
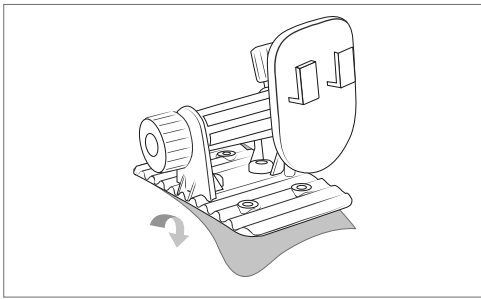
**CM024-L-2**  
(CM024-L-1 also available)

1. Choose the best location on vehicle to place the mount. **Do not place mount in or near an air bag deployment zone or where it will obstruct view of the road.**

2. Clean off dash surface with alcohol cleaning pad and let dry. Do not attempt application of the dash mount if the temperature is below 68° F (20°C).



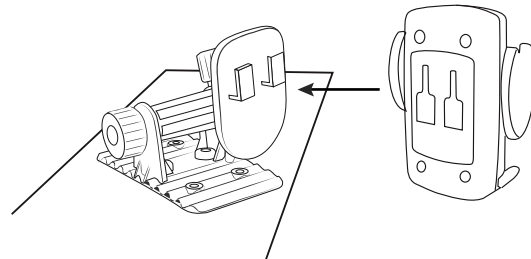
3. Remove paper liner from adhesive on base and affix adhesive to the dash. Let stand (at room temperature) for 24 hours before using.



**Removal of Dash Mount**

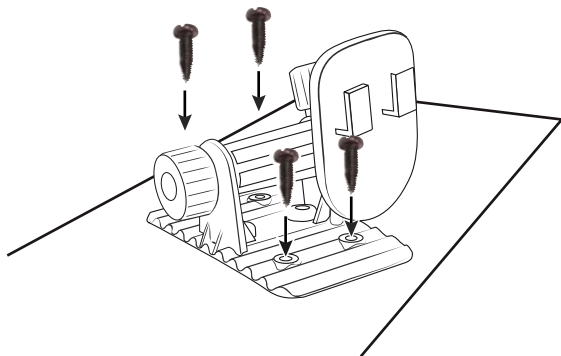
To remove the dash mount completely, use a cotton swab dipped in isopropyl alcohol. Simply peel up a corner of the dash mount adhesive and swab under the pad while gently pulling until the adhesive begins to release. Remove slowly. No damage will occur from the adhesive if it has been properly installed and removed per these instructions. You may see a slight discoloration between this area and other parts of your dash due to fading caused by the sun.

4. Can be used with Arkon's Dual T-slot cradle (not included).



**Dash / Console mount with screws (Optional)**

For a more permanent mount, connect the pedestal to the dash or console. This will require drilling into your vehicle's interior surface with self-tapping screws (not included).



**Safety Precautions**

Drilling onto the dash, floor or console will permanently damage the vehicle. Use caution and consult a mobile install professional to avoid drilling into the gas tank, electrical system or other highly sensitive vehicle components.

Arkon Resources, Inc. is not responsible for any damages caused to your car or yourself due to the install of the pedestal mount.

**! WARNING:**

**Do not install Arkon products over an air bag cover or within the air bag deployment zone. Arkon Resources, Inc. assumes no responsibility of liability for injury or death as a result of car crashes and/or air bag deployment.**

**Arkon Resources, Inc. is not responsible for any damages caused to your car or yourself due to the installation of the pedestal mount.**



The Mobile Mounting Specialists™

Consumer Hotline:  
(USA) (800) 841-0884  
(INT'L) (626) 254-9005

**www.arkon.com**  
Arcadia, CA 91006 USA  
Made in Taiwan

Mon-Fri. 9am-5pm, PST

© Copyright 2007 Arkon Resources, Inc.