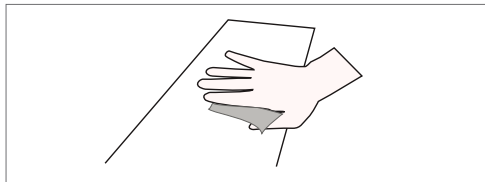
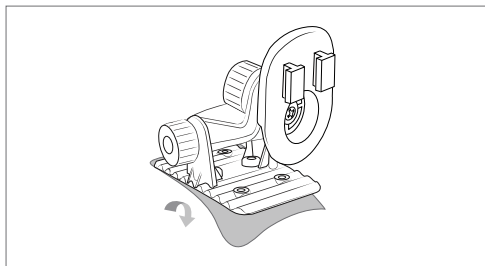


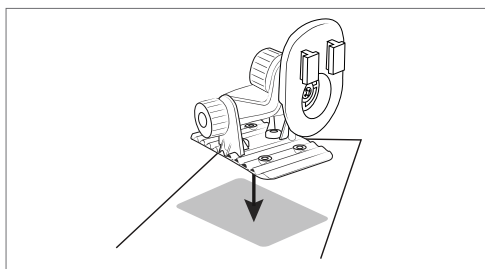
1. Choose the best location on vehicle to place the mount. **Do not place mount in or near an air bag deployment zone or where it will obstruct view of the road.**
2. Clean off dash surface with alcohol cleaning pad and let dry. Do not attempt application of the dash mount if the temperature is below 68° F (20°C).



3. Remove paper liner from adhesive on base.



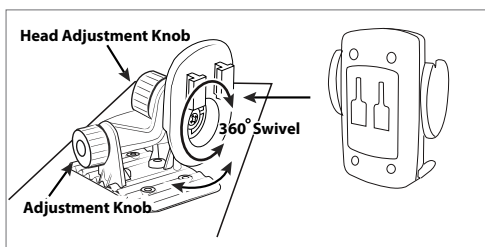
4. Affix adhesive to the dash. Let stand (at room temperature) for 24 hours before using.



### Removal of Dash Mount

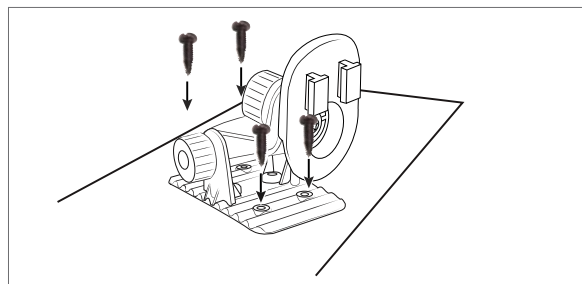
To remove the dash mount completely, use a cotton swab dipped in isopropyl alcohol. Simply peel up a corner of the dash mount adhesive and swab under the pad while gently pulling until the adhesive begins to release. Remove slowly. No damage will occur from the adhesive if it has been properly installed and removed per these instructions. You may see a slight discoloration between this area and other parts of your dash due to fading caused by the sun.

5. Loosen the adjustment knobs and adjust the angle of the arm and position of the head. Retighten to secure. Can be used with Arkon's universal phone or PDA cradle (not included, sold separately).



### Dash / Console mount with screws (Optional)

For a more permanent mount, connect the pedestal to the dash or console. This will require drilling into your vehicle's interior surface with self-tapping screws (not included).



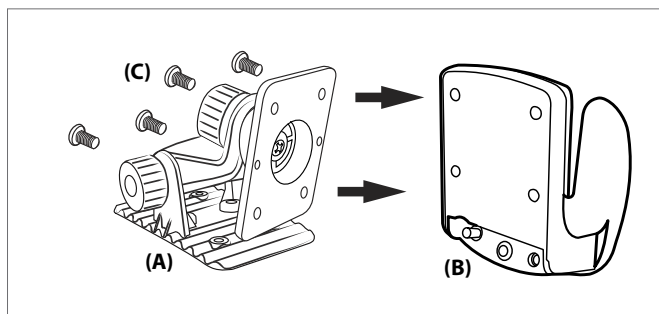
### ! Safety Precautions

Drilling onto the dash, floor or console will permanently damage the vehicle. Use caution and consult a mobile install professional to avoid drilling into the gas tank, electrical system or other highly sensitive vehicle components.

Arkon Resources, Inc. is not responsible for any damages caused to your car, your device, or yourself due to the install of the pedestal mount.

### CM023-KST-AMPS Instructions for Connecting to 4-hole AMPS Pattern

- Step 1. Secure the pedestal (A) to the any device or cradle with a 4-hole AMPS pattern (B) by lining up the holes on the cradle to those on the pedestal and using a Philips head screwdriver with the included screws (C) to attach them.



### ! WARNING:

Do not install Arkon products over an air bag cover or within the air bag deployment zone. Arkon Resources, Inc. assumes no responsibility of liability for injury or death as a result of car crashes and/or air bag deployment.

Arkon Resources, Inc. is not responsible for any damages caused to your vehicle, your device, or yourself due to the installation or use of the pedestal mount.

**ARKON**  
RESOURCES INC.

The Mobile Mounting Specialists™

Consumer Hotline:

(USA) (800) 841-0884

(INT'L) (626) 254-9005

Mon-Fri. 9am-5pm, PST

[www.arkon.com](http://www.arkon.com)

Arcadia, CA 91006 USA

Made in Taiwan

© Copyright 2007 Arkon Resources, Inc.