

# CM017 & CM017-L | Lateral Head Windshield Suction Pedestal



CM017-2



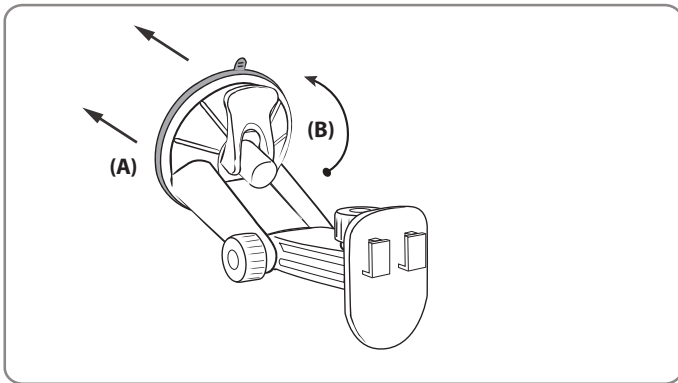
CM017-1



CM017-L-2

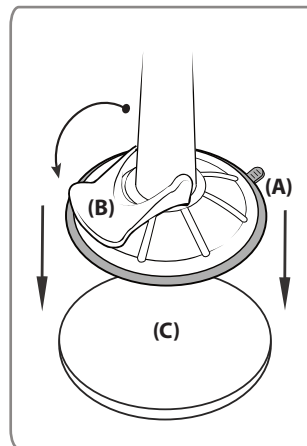


CM017-L-1



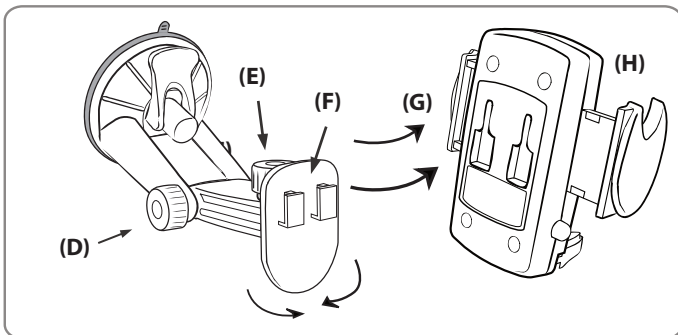
### Windshield Installation

Push the pedestal suction cup (A) firmly to the windshield. Flip the lever (B) down to secure the suction cup.



### Dash Installation (Optional, when disc is included)

- Step 1. Locate a safe flat surface on the dash or console to mount the pedestal. Clean the dash with the alcohol pad provided. Let the dash surface dry before applying the adhesive disc (C).
- Step 2. Push the pedestal suction cup (A) firmly to the disc (C). Flip the lever (B) down to secure the suction cup.



### Gooseneck and Dual-T Head Instructions (Cradle Sold Separately)

- Step 1. Adjust the angle of the pedestal head by loosening the adjustment knob (D).
- Step 2. Adjust the lateral angle of the pedestal head by loosening the adjustment knob (E).
- Step 3. Attach the device cradle (H) to the dual-T tab head (F) by inserting the T-tabs into the T-slots (G). (Cradles are sold separately)



### Safety Precautions

Do not install Arkon products over an air bag cover or within the air bag deployment zone. Arkon Resources, Inc. assumes no responsibility of liability for injury or death as a result of car crashes and/or air bag deployment.

Arkon Resources, Inc. is not responsible for any damages caused to your car, your device, or yourself due to the installation or use of the pedestal mount.

**ARKON**  
RESOURCES INC.

The Mobile Mounting Specialists™

Consumer Hotline:  
(USA) (800) 841-0884  
(INT'L) (626) 254-9005  
Mon-Fri. 9am-5pm, PST

[www.arkon.com](http://www.arkon.com)  
Arcadia, CA 91006 USA  
Made in Taiwan

© Copyright 2007 Arkon Resources, Inc.