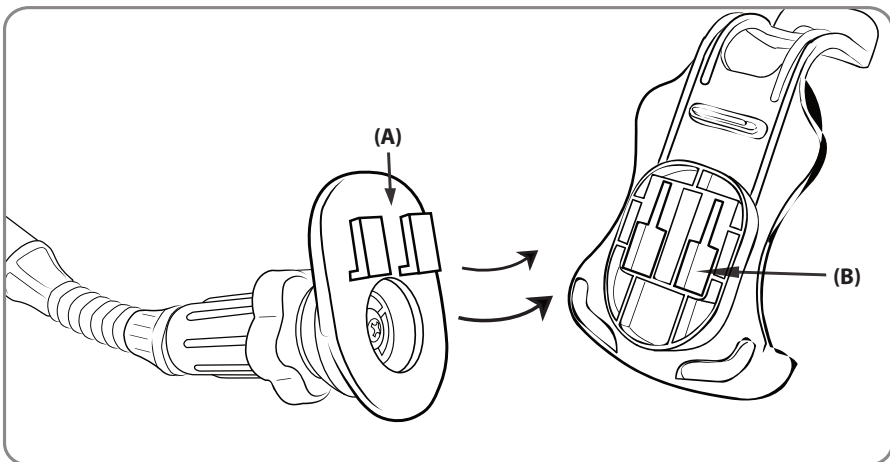


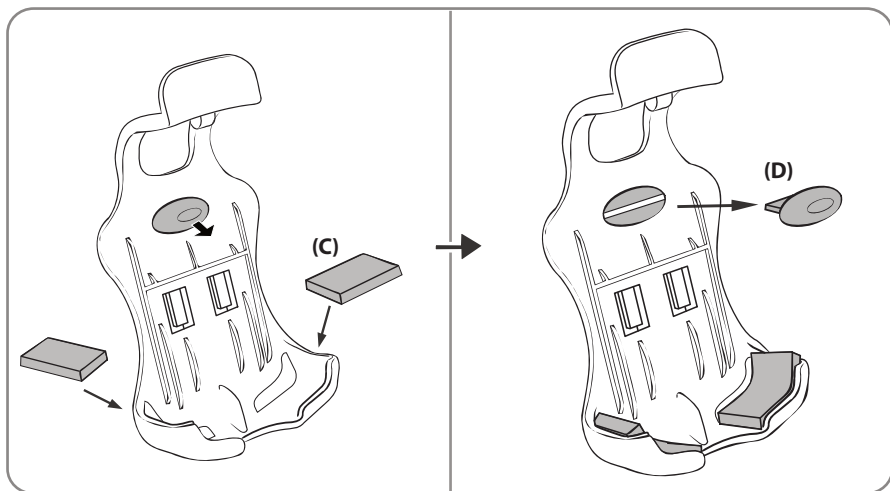


CC001-BB



Dual-T Head Instructions
(Pedestal Sold Separately)

Step 1. Attach the Blackberry device cradle to the dual-T tab head (A) by inserting the T-tabs into the T-slots (B).



Blackberry Cradle Instructions

Step 1. If you are using a Blackberry 8700 series device, insert adhesive pads (C) at the pedestal base as shown so the device can fit securely.

Step 2. Remove spacer insert (D) to make more room for some devices that may use an extended battery pack.



Safety Precautions

Do not install Arkon products over an air bag cover or within the air bag deployment zone. Arkon Resources, Inc. assumes no responsibility of liability for injury or death as a result of car crashes and/or air bag deployment.

Arkon Resources, Inc. is not responsible for any damages caused to your car, your device, or yourself due to the installation or use of the pedestal mount.



The Mobile Mounting Specialists™

Consumer Hotline:
(USA) (800) 841-0884
(INT'L) (626) 254-9005
Mon-Fri. 9am-5pm, PST

www.arkon.com
Arcadia, CA 91006 USA
Made in Taiwan

© Copyright 2007 Arkon Resources, Inc.