

PTM127 - BBP127 | Bicycle Handlebar Mount



CM032-ST-2 Bicycle Handlebar Pedestal



CC002-Palm



CC003-BBP

Compatibility: (not complete)

- Palm Treo 650
- Palm Treo 680
- Palm Treo 700W
- Palm Treo 700P
- Palm Treo 750
- HP iPAQ 6815
- HP iPAQ 6818
- HP iPAQ 6828
- HTC P3600
- HTC 6815
- XDA Adom Exec
- Dopod 818 Pro
- Dopod 810
- Pharos GPS 525P
- i-Mate JAMin

Compatibility:

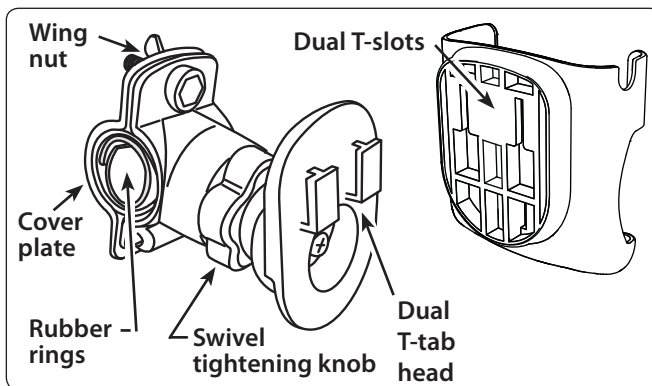
- Blackberry Pearl 8100
- Sanyo M1 Phone

Installation Instructions

Bicycle Handlebar Mounting

Step 1. Choose a suitable location on the handlebars of your bicycle in which to mount the pedestal.

Step 2.. Unscrew the wing nut and remove the screw in order to open the notch cover plate so pedestal can be placed around the handlebars.



Step 3. Wrap the rubber rings around the handlebar and reclip the notch cover plate around the rubber rings. Tighten the assembly by twisting the wing nut until it stops.

Step 4. Attach the pedestal's dual T-tab head to the dual T-slots on the back of the cradle. Loosen the swivel tightening knob by turning it counter clockwise. Adjust angle of pedestal head as needed, then retighten swivel tightening knob to secure.

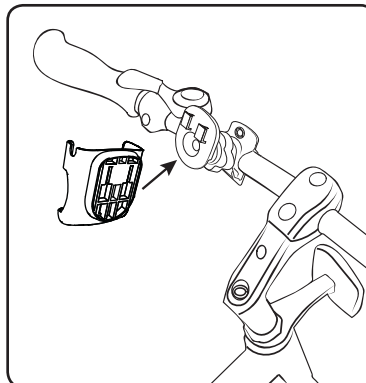
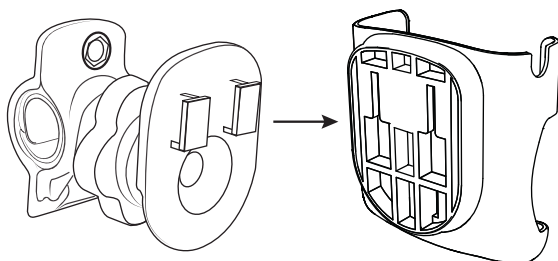
Package Contents:

- (1) CM032-ST-2 Bicycle Handlebar Mount
- (1) CC002-Palm or CC003-BBP Mobile Phone Cradle

No Tools Required for installation.

Connecting the cradle

Slide the T-slots of the cradle onto the T-tabs of of the mount pedestal.



Precaution: Arkon strongly recommends using a securing strap to provide extra protection for your device. Failure to do so may result in damage to your device. Do not operate portable devices while riding. Arkon Resources, Inc. assumes no liability for safety of bicycle rider or portable device.



Safety Precautions

Do not reposition the pedestal while cycling or driving. Arkon Resources, Inc. does not promote the adjustment of mobile devices except when the bicycle or vehicle is safely parked or stopped.

Arkon is not responsible for any damages caused to your bicycle, your device, or yourself due to the installation or use of this product.

ARKON
RESOURCES INC.

The Mobile Mounting Specialists™

Consumer Hotline:
(USA) (800) 841-0884
(INT'L) (626) 254-9005

Mon-Fri. 9am-5pm, PST

www.arkon.com
Arcadia, CA 91006 USA
Made in Taiwan

© Copyright 2007 Arkon Resources, Inc.