

BBBOLD123-G | Cup Holder Mount for BlackBerry® Bold™ 9000



CM033-G-2
Gooseneck
cup holder



CC007-BOLD
Custom Cradle
for BlackBerry Bold

Package Contents:

- (1) CM033-G-2 - Cup holder with gooseneck mount
- (1) CC007-BOLD - Custom cradle for BlackBerry Bold 9000
- (1) Optional adhesive support pads

Note: mount may not work with adjustable, "pop out" cup holders or oversize cup holder openings found in full-size pickup trucks.

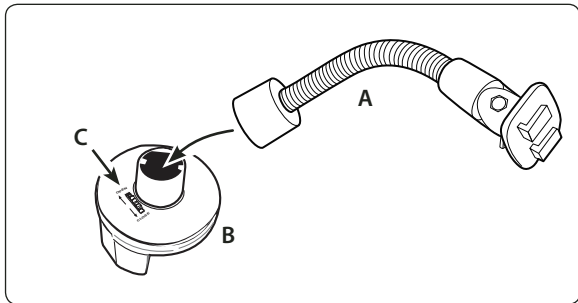
Compatible with:

- BlackBerry Bold 9000 smartphone

! Do not place mount in or near an air bag deployment zone or where it will obstruct view of the road.

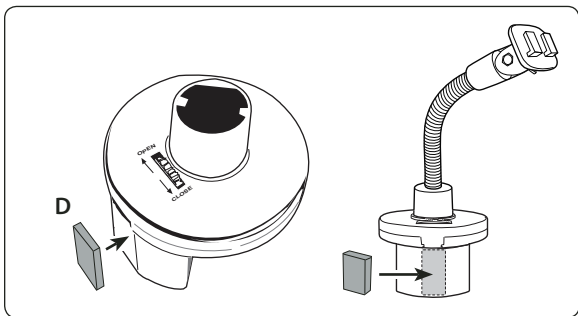
Cup Holder Mounting

Step 1. Connect the gooseneck (A) to the cup holder base (B) by aligning the groove on the base to the ridge inside the bottom of the gooseneck.



Step 2. Place the Cup Holder Mount into a designated cup holder in the vehicle. Adjust the thumb wheel adjuster (C) to open or close the cup holder prongs to fit in the cup holder.

Step 3. For oversize cup holder openings or the adjustable "pop out" cup holders use the optional self-adhesive side support pads (D). Install the pads by removing the adhesive backing and placing it on the flat surface side of the cup holder support leg.

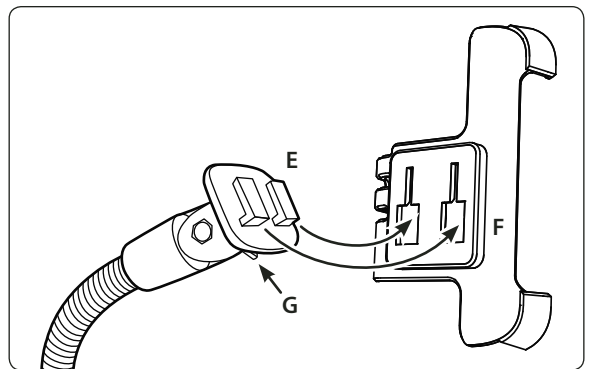


BlackBerry brand name and Bold product name are trademarks or registered trademarks of Research in Motion, Ltd. Arkon Resources, Inc. is not affiliated with Research in Motion, Ltd.

Connect BlackBerry Bold Cradle to Pedestal

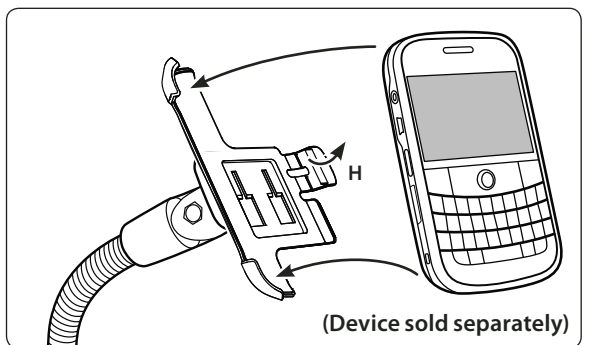
Step 1. Attach the Bold cradle to the gooseneck by inserting the dual T-tabs (E) on the head into the dual T-slots (F) on the back of the cradle.

Step 2. Adjust the angle of the dual-T head by tightening the adjustment wingnut (G).



Bold Insertion and Removal from Cradle

Step 1. Push and hold the right thumb tab (H) while gently inserting the Bold (not included, sold separately) into the cradle.



! Safety Precautions

Do not install Arkon products over an air bag cover or within the air bag deployment zone. Arkon Resources, Inc. assumes no responsibility of liability for injury or death as a result of car crashes and/or air bag deployment.

Arkon is not responsible for any damages caused to your car, your device, or yourself due to the installation or use of this pedestal mount.



The Mobile Mounting Specialists™

Consumer Hotline:

USA (800) 841-0884

INT'L (626) 254-9005

Monday - Friday 9 am - 5 pm, PST

www.arkon.com

Arcadia, CA 91006 USA

Designed in USA | Made in Taiwan

© Copyright 2009 Arkon Resources, Inc.