

BBBOLD121 | Lighter Socket Mount with Power Outlet for BlackBerry® Bold™ 9000



CM097-2
Lighter Socket
Mount



CC007-BOLD
Custom Cradle
for BlackBerry Bold

Patent Pending


Package Contents:

- (1) CM097-2 - 12V / Lighter socket mount with power outlet
- (1) CC007-BOLD - Custom cradle for BlackBerry Bold

Compatible with:

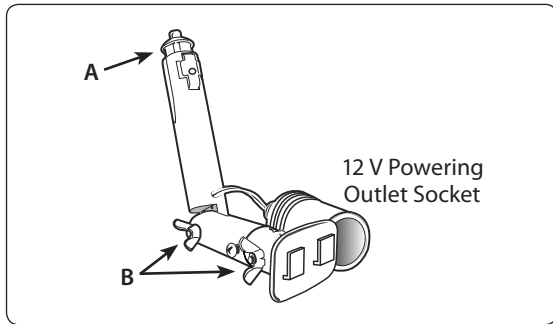
- BlackBerry Bold 9000 smartphone

BlackBerry brand name and Bold product name are trademarks or registered trademarks of Research in Motion, Ltd. Arkon Resources, Inc. is not affiliated with Research in Motion, Ltd.

 Do not place mount in or near an air bag deployment zone or where it will obstruct view of the road.

Mount Installation Instructions

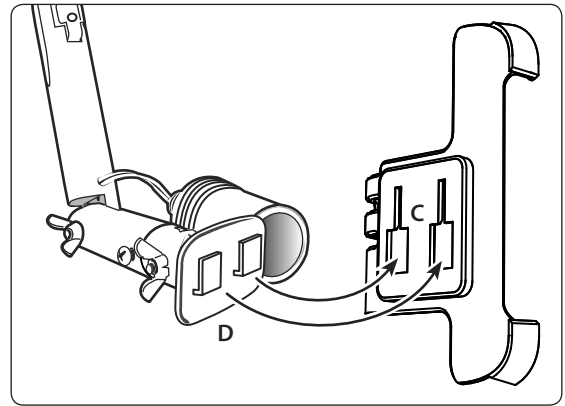
- Step 1. Insert the DC Power plug (A) completely into the vehicle's 12V / lighter socket.



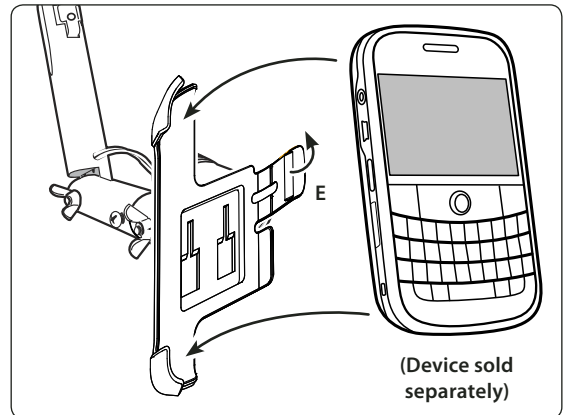
- Step 2. Adjust the angle of the pedestal arm by tightening the wing nuts (B) to the desired placement angle.

Bold Cradle Connection and Bold Insertion into Cradle

- Step 1. Attach the dual T-slots (C) on the back of the Bold cradle to the dual T-tabs (D) on the lighter pedestal head.



- Step 2. Push and hold the right thumb tab (E) and gently insert the Bold device (not included, sold separately) into the cradle.



Safety Precautions

Do not install Arkon products over an air bag cover or within the air bag deployment zone. Arkon Resources, Inc. assumes no responsibility of liability for injury or death as a result of car crashes and/or air bag deployment.

Arkon is not responsible for any damages caused to your car, your device, or yourself due to the installation or use of this pedestal mount.

ARKON
RESOURCES INC.

The Mobile Mounting Specialists™

Consumer Hotline:

USA (800) 841-0884

INT'L (626) 254-9005

Monday - Friday 9 am - 5 pm, PST

www.arkon.com

Arcadia, CA 91006 USA

Designed in USA | Made in China and Taiwan

© Copyright 2009 Arkon Resources, Inc.