

BB235



CM027-2

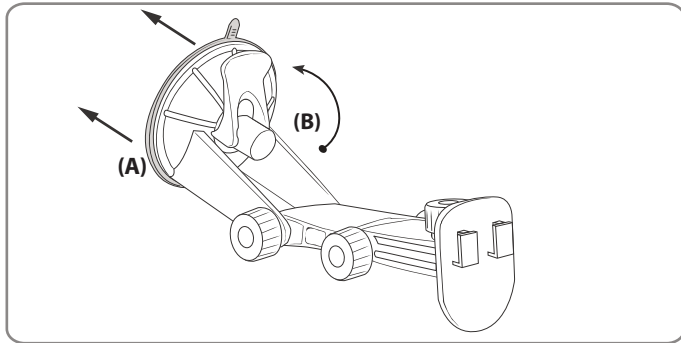
CC001-BB

Compatible with the following Blackberry phones:

7100t, 7230, 7250, 7280, 7290, 7270 (enterprise solution), 7510, 7520, 6230, 8700r, 8700c, Cingular 7100g, Cingular 8700c

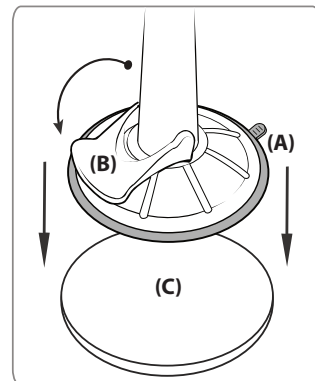
Not Compatible with the following:

T-Mobile 7105t, Nextel 7100i, Sprint 7130



Windshield Installation

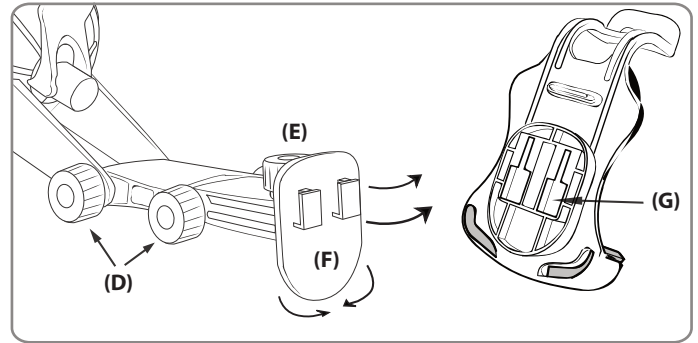
Step 1. Push the pedestal suction cup (A) firmly to the windshield. Flip the lever (B) down to secure the suction cup.



Dash Installation

Step 1. Locate a safe flat surface on the dash or console to mount the pedestal. Clean the dash with the alcohol pad provided. Let the dash surface dry before applying the adhesive disc (C).

Step 2. Push the pedestal suction cup (A) firmly to the disc (C). Flip the lever (B) down to secure the suction cup.

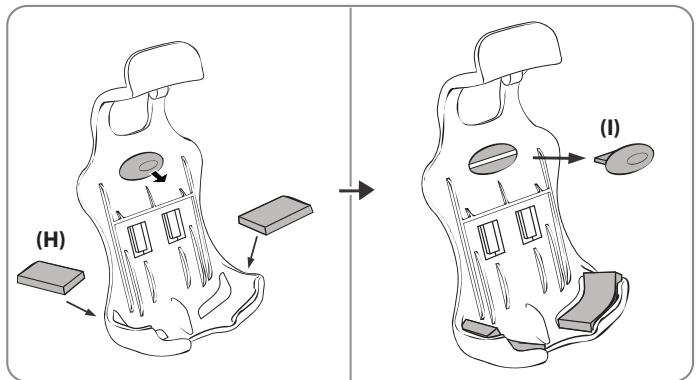


Pedestal and Dual-T Head Instructions

Step 1. Adjust the angle of the pedestal head by loosening the adjustment knobs (D).

Step 2. Adjust the angle and rotation of the pedestal head by loosening the adjustment knob (E).

Step 3. Attach the device cradle to the dual-T tab head (F) by inserting the T-tabs into the T-slots (G).



Blackberry Cradle Instructions

Step 1. If you are using a Blackberry 8700 series device, insert adhesive pads (H) at the pedestal base as shown so the device can fit securely.

Step 2. Remove spacer insert (I) to make more room for some devices that may use an extended battery pack.



Safety Precautions

Do not install Arkon products over an air bag cover or within the air bag deployment zone. Arkon Resources, Inc. assumes no responsibility of liability for injury or death as a result of car crashes and/or air bag deployment.

Arkon Resources, Inc. is not responsible for any damages caused to your car, your device, or yourself due to the installation or use of the pedestal mount.

ARKON
RESOURCES INC.

The Mobile Mounting Specialists™

Consumer Hotline:
(USA) (800) 841-0884
(INT'L) (626) 254-9005
Mon-Fri. 9am-5pm, PST

www.arkon.com
Arcadia, CA 91006 USA
Made in Taiwan

© Copyright 2007 Arkon Resources, Inc.