

BB225-S | 15" Flexible Steel Gooseneck Mount



Package Contents:

- (1) CM088-TS-2 Gooseneck Mount
- (1) CC001-BB Blackberry Cradle
- (1) Seat Bolt Bracket
- (4) Bracket Bolts
- (1) Floor / Console Bracket
- (3) Self-tapping Screws
- (3) Plastic Caps

NOTES:

1. Tool for Seat Bolt mounting - socket wrench
2. Tools for optional Floor or Console mounting - drill and screwdriver
3. Do not twist the cradle or device while mounted on top of the pedestal to adjust the steel shaft as this can break the dual T-slots.

Floor or Console Mounting



Safety Precautions

Drilling onto the floor or console can permanently damage the vehicle. Use caution and consult a mobile install professional to avoid drilling into the gas tank, electrical system or other highly sensitive vehicle components.

Arkon Resources, Inc. is not responsible for any damages caused to your car or yourself due to the install of the pedestal mount.

For a more permanent mount, connect the Floor / Console Mount Bracket to the floor or console. This will require drilling into your vehicle's interior surface.

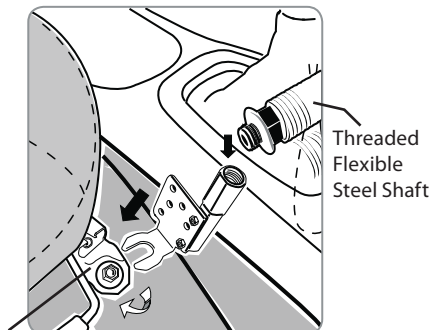
- Step 1. Position the Floor / Console Bracket and drill into the floor or console.
- Step 2. Attach the Floor / Console Bracket with screws and cover with plastic caps.
- Step 3. Screw the steel shaft into the Floor / Console Bracket.

Installation Instructions

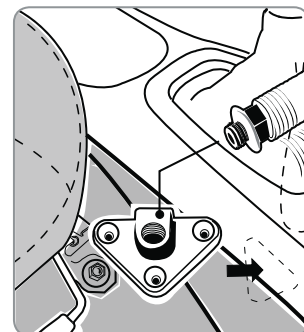
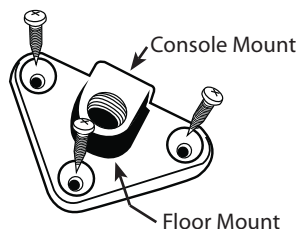
Passenger Seat Bolt Mounting

For a simple mount that can be easily moved to another vehicle, install using the passenger seat bolt (no drilling required).

- Step 1. Screw the flexible steel shaft into the Seat Bolt Bracket.
- Step 2. With a socket wrench, loosen the passenger seat bolt, insert the Seat Bolt Bracket, and retighten the seat bolt.

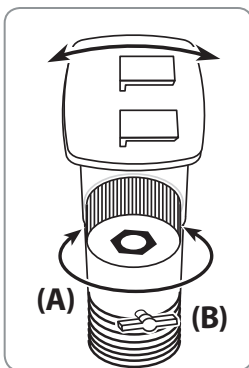


Seat Bolt Bracket



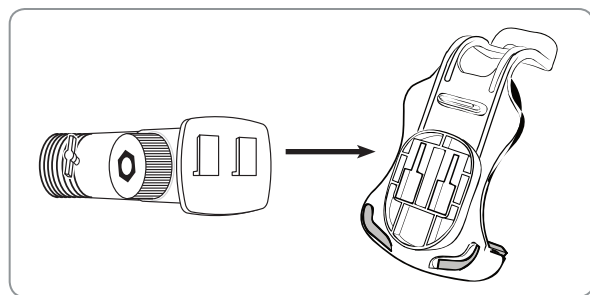
Pedestal Head Adjustments

- Step 1. Adjust the steel shaft by bending with both hands to the desired location of the male dual T-head.
- Step 2. Use the adjustment knob (A) and wing nut (B) on the pedestal head to swivel or rotate the head position if necessary.
- Step 3. Align the female dual T-slots on the cradle to the dual T-tabs on the pedestal head. Insert device.



Connecting the cradle

Slide the T-slots of the cradle onto the T-tabs of the mount head.



Safety Precautions

Drilling onto the floor or console can permanently damage the vehicle. Use caution and consult a mobile install professional to avoid drilling into the gas tank, electrical system or other highly sensitive vehicle components.

Arkon Resources, Inc. is not responsible for any damages caused to your vehicle, your device, or yourself due to the installation or use of this product.

ARKON
RESOURCES INC.

The Mobile Mounting Specialists™

Consumer Hotline:
(USA) (800) 841-0884
(INT'L) (626) 254-9005

Mon-Fri. 9am-5pm, PST

www.arkon.com
Arcadia, CA 91006 USA
Made in Taiwan

© Copyright 2007 Arkon Resources, Inc.