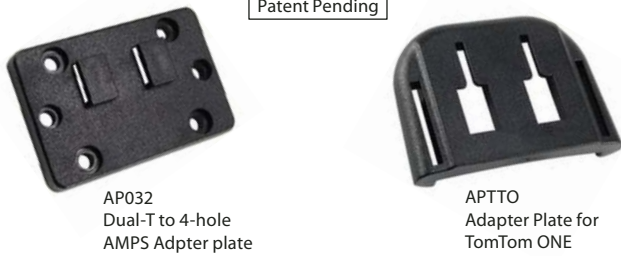


# APTTO-VSM | VSM 4 Hole AMPS Adapter Mount for TomTom® ONE™



## Package Contents:

- (1) APTTO - Adapter plate for TomTom ONE pattern
- (1) AP032 - Dual-T to 4-hole AMPS adapter plate with screws and nuts

## Compatible with:

- TomTom ONE US Edition
- TomTom ONE 3rd Edition (US)
- TomTom ONE 3rd Edition (EUROPE)
- TomTom ONE (NEW Edition) (EUROPE)  
aka known as the TomTom ONE 2nd Edition



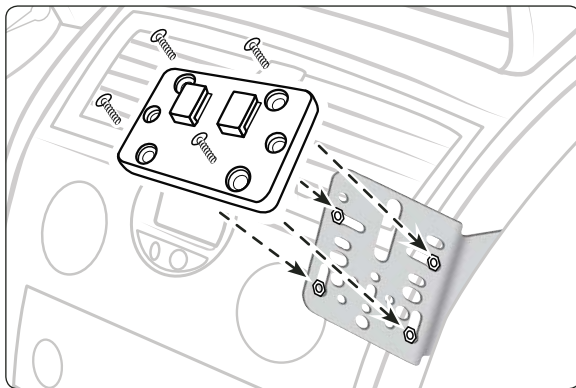
Do not place mount in or near an air bag deployment zone.

## Console Mounting VSM Bracket

- Step 1. Find a safe location on the console to install the vehicle specific mount (VSM) sold by other manufacturers. The VSM bracket is not included in this kit. Follow the manufacturers instructions for installing VSM bracket.

## Connect Adapter plate to VSM Bracket

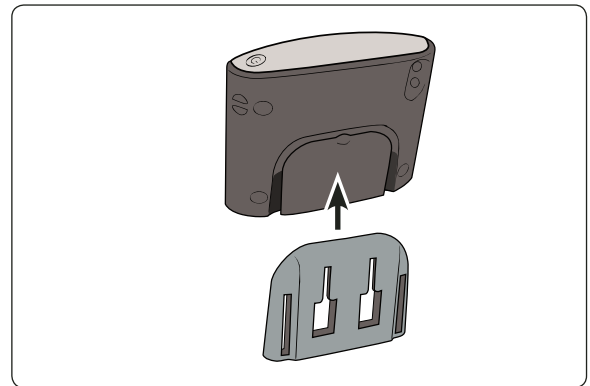
- Step 1. Place the Dual-T to 4-hole AMPS adapter plate against the VSM bracket. Using a screwdriver, tighten the screws into the nuts behind the adapter plate. See diagram below.



TomTom brand name and product names are trademarks, or registered trademarks of TomTom International NV. Arkon Resources, Inc. is not affiliated with TomTom International NV.

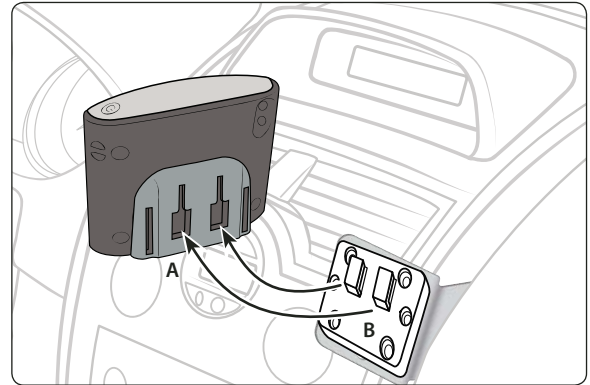
## Connect Adapter Plate to TomTom Device

Slide the adapter plate up into the grooves on the back of the TomTom ONE GPS device (not included, sold separately).



## Connect TomTom Device to Pedestal

- Step 1. Connect the dual T-slots (A) on TomTom adapter plate to the dual T-tabs (B) on the dual-T to 4-hole AMPS adapter plate.



## Safety Precautions

Do not install Arkon products over an air bag cover or within the air bag deployment zone. Arkon Resources, Inc. assumes no responsibility of liability for injury or death as a result of car crashes and/or air bag deployment.

Arkon is not responsible for any damages caused to your car, your device, or yourself due to the installation or use of this pedestal mount.

**ARKON**  
RESOURCES INC.

The Mobile Mounting Specialists™

Consumer Hotline:

USA (800) 841-0884

INT'L (626) 254-9005

Monday - Friday 9am - 5pm, PST

[www.arkon.com](http://www.arkon.com)

Arcadia, CA 91006 USA

Designed in USA | Made in China and Taiwan

© Copyright 2008 Arkon Resources, Inc.