

APTT-VSM | VSM 4 Hole AMPS Adapter Mount for TomTom® GPS Devices



Package Contents:

- (1) APTTO - Adapter plate for TomTom ONE pattern
- (1) APTTOXL - Adapter plate for TomTom ONE XL pattern
- (1) APTTGO - Adapter plate for TomTom GO pattern
- (1) APTTEP - Adapter plate for TomTom EasyPort pattern
- (1) AP032 - Dual-T to 4-hole AMPS adapter plate with screws and nuts

Compatible with:

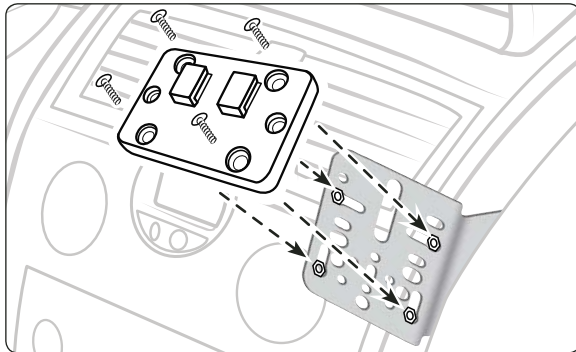
- TomTom ONE US Edition
- TomTom ONE 3rd Edition (US)
- TomTom ONE 3rd Edition (EUROPE)
- TomTom ONE (NEW Edition) (EUROPE)
- TomTom ONE (NEW Edition) aka known as the TomTom ONE 2nd Edition
- TomTom ONE XL First Edition
- TomTom ONE XL • S First Edition
- TomTom ONE 130, TomTom ONE 130-S
- TomTom XL 330, TomTom XL 330-S
- TomTom ONE 22, ONE 22 Europe, ONE Regional (NEW)
- TomTom XL Europe 22, XL Europe 22 Traffic
- TomTom XL Regional, TomTom XL Regional Traffic
- TomTom GO 520, 530, 720, 730, 920, 920P, and 930

Console Mounting VSM Bracket

- Step 1. Find a safe location on the console to install the vehicle specific mount (VSM) sold by other manufacturers. The VSM bracket is not included in this kit. Follow the manufacturers instructions for installing VSM bracket.

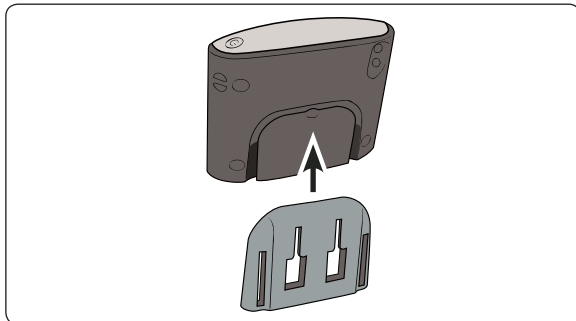
Connect Adapter plate to VSM Bracket

- Step 1. Place the Dual-T to 4-hole AMPS adapter plate against the VSM bracket. Using a screwdriver, tighten the screws into the nuts behind the adapter plate. See diagram below.



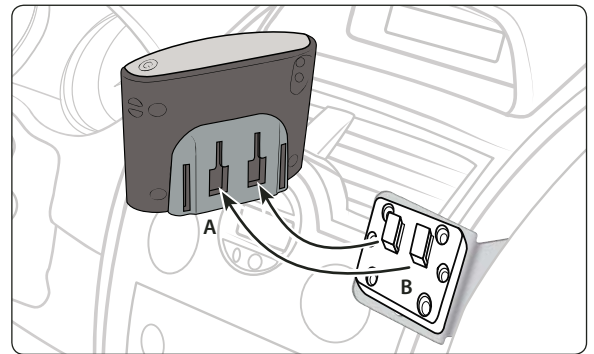
Connect ONE or ONE XL Adapter Plate to TomTom Device

- Step 1. Slide the adapter plate up into the grooves on the back of the TomTom ONE, XL, or XL • S device (not included, sold separately).



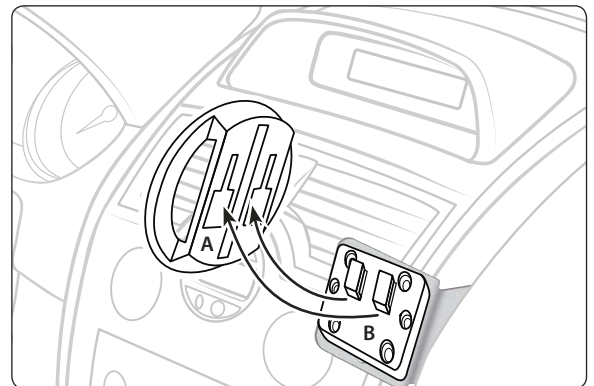
Connect TomTom ONE, XL, or XL • S Device to Pedestal

- Step 1. Connect the dual T-slots (A) on TomTom adapter plate to the dual T-tabs (B) on the dual-T to 4-hole AMPS adapter plate.



Connect EasyPort Adapter Plate to Pedestal

- Step 1. Connect the dual T-slots (A) on TomTom adapter plate to the dual T-tabs (B) on the dual-T to 4-hole AMPS adapter plate.



Continued on other side...

! Do not place mount in or near an air bag deployment zone.

TomTom brand name and product names are trademarks, or registered trademarks of TomTom International NV. Arkon Resources, Inc. is not affiliated with TomTom International NV.



Safety Precautions

Do not install Arkon products over an air bag cover or within the air bag deployment zone. Arkon Resources, Inc. assumes no responsibility of liability for injury or death as a result of car crashes and/or air bag deployment.

Arkon is not responsible for any damages caused to your car, your device, or yourself due to the installation or use of this pedestal mount.

ARKON
RESOURCES INC.

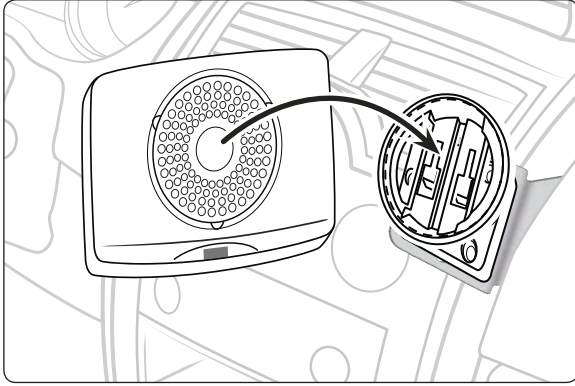
The Mobile Mounting Specialists™

Consumer Hotline:
USA (800) 841-0884
INT'L (626) 254-9005
Monday - Friday 9 am - 5 pm, PST

www.arkon.com
Arcadia, CA 91006 USA
Designed in USA | Made in China and Taiwan
© Copyright 2008 Arkon Resources, Inc.

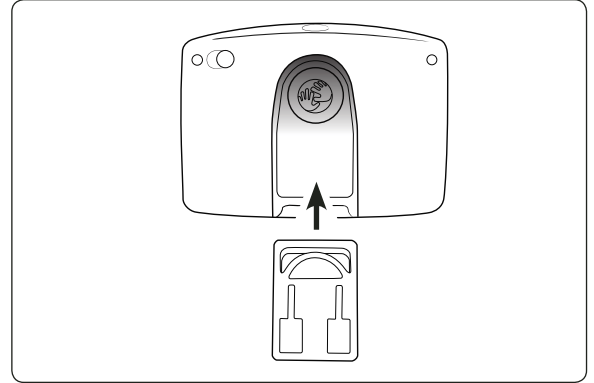
Connect TomTom EasyPort Device to Pedestal

Step 1. While holding the mounted TomTom adapter plate, gently insert the TomTom device (not included, sold separately) into the adapter plate until an audible click is heard. The device can then be rotated into the desired viewing angle.



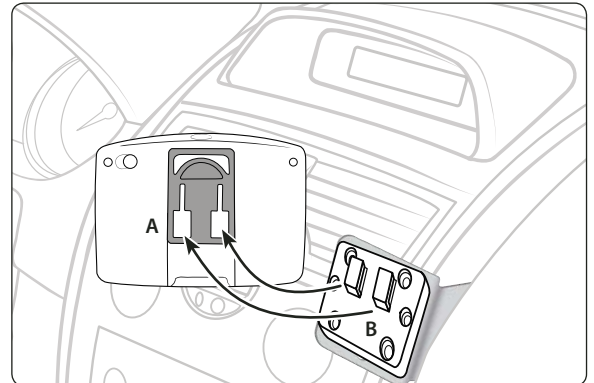
Connect TomTom GO Adapter Plate to TomTom Device

Step 1. Slide the adapter plate up into the grooves on the back of the TomTom GO series device (not included, sold separately).



Connect TomTom GO Device to Pedestal

Step 1. Connect the dual T-slots (A) on TomTom GO adapter plate to the dual T-tabs (B) on the dual-T to 4-hole AMPS adapter plate.



Safety Precautions

Do not install Arkon products over an air bag cover or within the air bag deployment zone. Arkon Resources, Inc. assumes no responsibility of liability for injury or death as a result of car crashes and/or air bag deployment.

Arkon is not responsible for any damages caused to your car, your device, or yourself due to the installation or use of this pedestal mount.

ARKON
RESOURCES INC.

The Mobile Mounting Specialists™

Consumer Hotline:

USA (800) 841-0884

INT'L (626) 254-9005

Monday - Friday 9 am - 5 pm, PST

www.arkon.com

Arcadia, CA 91006 USA

Designed in USA | Made in China and Taiwan

© Copyright 2008 Arkon Resources, Inc.