

APSM-VSM | VSM 4 Hole AMPS Adapter Mount for Mobile Phones



AP032
Dual-T to 4-hole
AMPS Adapter plate

SM020-2
SmartPhone
Phone Cradle

Package Contents:

- (1) SM020-2 - SmartPhone Phone Cradle
- (1) AP032 - Dual-T to 4-hole AMPS adapter plate with screws and nuts



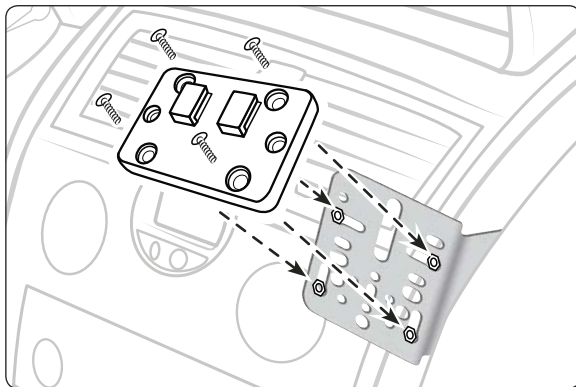
Do not place mount in or near an air bag deployment zone.

Console Mounting VSM Bracket

- Step 1. Find a safe location on the console to install the vehicle specific mount (VSM) sold by other manufacturers. The VSM bracket is not included in this kit. Follow the manufacturers instructions for installing VSM bracket.

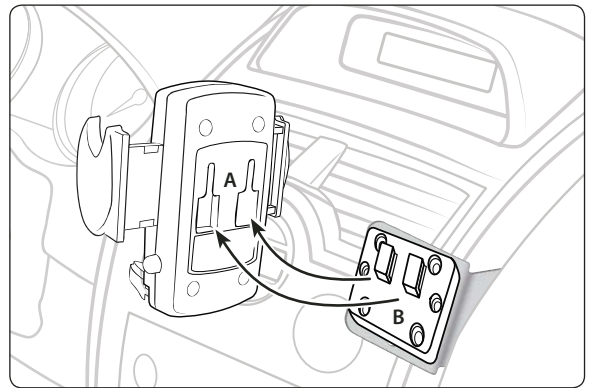
Connect Adapter plate AP032 to VSM Bracket

- Step 1. Place the Dual-T to 4-hole AMPS adapter plate against the VSM bracket. Using a screwdriver, tighten the screws into the nuts behind the adapter plate. See diagram below.



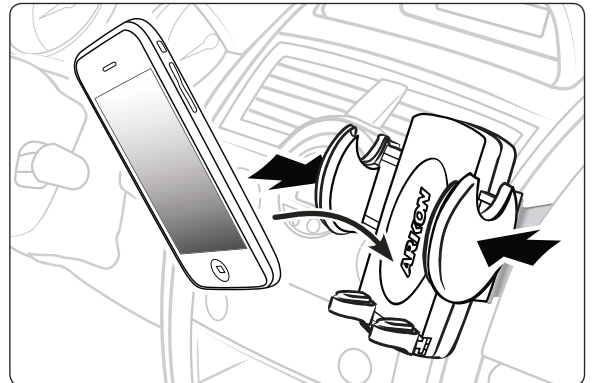
Connect Mobile Phone Cradle to VSM Mount

- Step 1. Connect the Dual-T slots (A) on the back of the phone cradle to the Dual-T tabs (B) on the Dual-T to 4-hole AMPS adapter plate.



Insert Mobile Phone to Cradle

- Step 1. Insert your mobile phone into the cradle and squeeze the side grips until they firmly hold the device. Push the side button to release the phone from the cradle.



Safety Precautions

Do not install Arkon products over an air bag cover or within the air bag deployment zone. Arkon Resources, Inc. assumes no responsibility of liability for injury or death as a result of car crashes and/or air bag deployment.

Arkon is not responsible for any damages caused to your car, your device, or yourself due to the installation or use of this pedestal mount.

ARKON
RESOURCES INC.

The Mobile Mounting Specialists™

Consumer Hotline:

USA (800) 841-0884

INT'L (626) 254-9005

Monday - Friday 9 am - 5 pm, PST

www.arkon.com

Arcadia, CA 91006 USA

Designed in USA | Made in Taiwan

© Copyright 2008 Arkon Resources, Inc.