

APIP-VSM | VSM 4 Hole AMPS Adapter Mount for Apple® iPhone™



AP032
Dual-T to 4-hole
AMPS Adapter plate



CC005-IP
Custom Cradle
for iPhone

Patent Pending

Package Contents:

- (1) CC005-IP - Custom cradle for Apple iPhone
- (1) AP032 - Dual-T to 4-hole AMPS adapter plate with screws and nuts

Compatible with:

- Apple iPhone 3G and Original iPhone

Apple brand name and iPhone product name are trademarks or registered trademarks of Apple, Inc. Arkon Resources, Inc. is not affiliated with Apple, Inc.



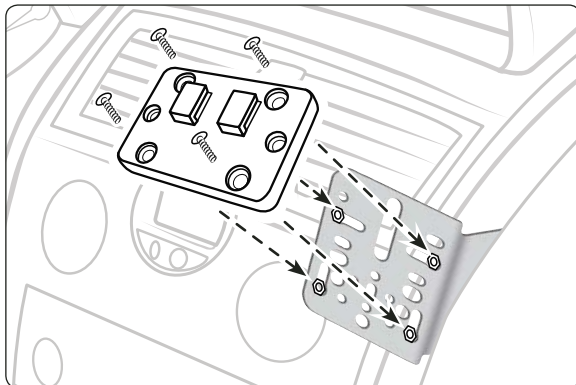
Do not place mount in or near an air bag deployment zone.

Console Mounting VSM Bracket

- Step 1. Find a safe location on the console to install the vehicle specific mount (VSM) sold by other manufacturers. The VSM bracket is not included in this kit. Follow the manufacturers instructions for installing VSM bracket.

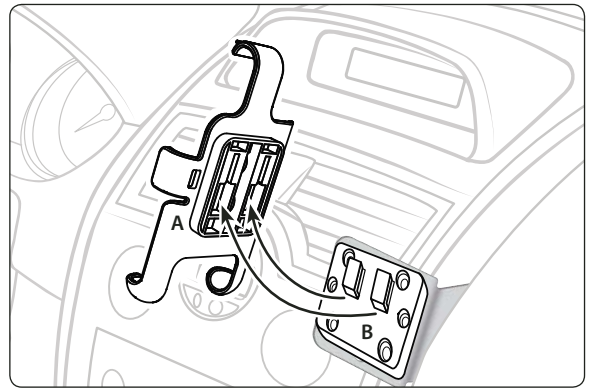
Connect Adapter plate to VSM Bracket

- Step 1. Place the Dual-T to 4-hole AMPS adapter plate against the VSM bracket. Using a screwdriver, tighten the screws into the nuts behind the adapter plate. See diagram below.



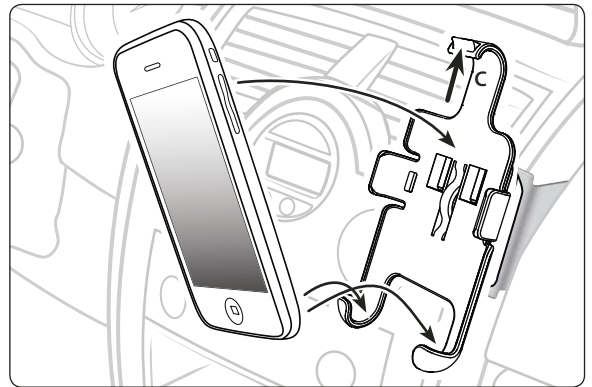
Connect iPhone Cradle to 4-Hole AMPS Adapter Plate

- Step 1. Connect the dual T-slots (A) on iPhone cradle to the dual T-tabs (B) on the adapter plate.



iPhone Insertion and Removal from Cradle

- Step 1. Lift and hold the upper thumb tab (C) while gently lowering the iPhone device (not included, sold separately) into the cradle.



Safety Precautions

Do not install Arkon products over an air bag cover or within the air bag deployment zone. Arkon Resources, Inc. assumes no responsibility of liability for injury or death as a result of car crashes and/or air bag deployment.

Arkon is not responsible for any damages caused to your car, your device, or yourself due to the installation or use of this pedestal mount.

ARKON
RESOURCES INC.

The Mobile Mounting Specialists™

Consumer Hotline:

USA (800) 841-0884

INT'L (626) 254-9005

Monday - Friday 9am - 5pm, PST

www.arkon.com

Arcadia, CA 91006 USA

Designed in USA | Made in China and Taiwan

© Copyright 2008 Arkon Resources, Inc.