

AP032-VSM | VSM 4 Hole AMPS Adapter Mount



AP032
Dual-T to 4-hole
AMPS Adapter plate

Package Contents:

(1) AP032 - Dual-T to 4-hole AMPS adapter plate with screws and nuts

Compatible with:

- All dual-T pattern devices, cradles, and mounts.



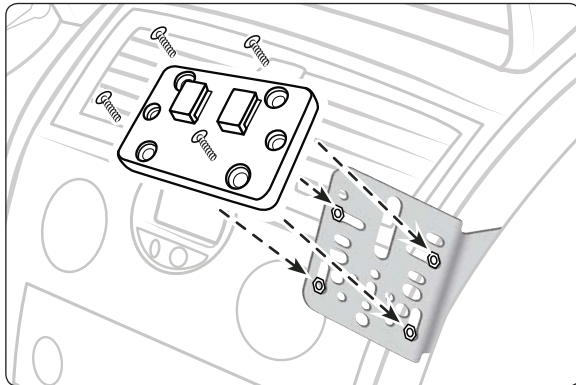
Do not place mount in or near an air bag deployment zone.

Console Mounting VSM Bracket

Step 1. Find a safe location on the console to install the vehicle specific mount (VSM) sold by other manufacturers. The VSM bracket is not included in this kit. Follow the manufacturers instructions for installing VSM bracket.

Connect Adapter plate to VSM Bracket

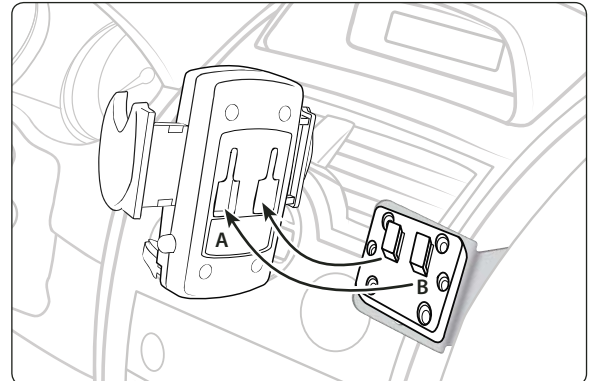
Step 1. Place the Dual-T to 4-hole AMPS adapter plate against the VSM bracket. Using a screwdriver, tighten the screws into the nuts behind the adapter plate. See diagram below.



Connect Arkon's Dual T-Slots to the Dual T-Tabs on the AP032-VSM

Note: Arkon's Dual T-Slot is the standard mounting pattern used with a variety of portable navigation devices offered by Magellan, Asus, Hewlett Packard, and others. The AP032 adapter plate can also be used with any of Arkon's universal or custom fit cell phone cradles. (Models CM090-2, SM020-2, SM015-2, CC001-BB, CC002-Palm, CC003-BBP, and CC005-IP are all sold separately and not included in this bundle)

Step 1. Connect the dual T-slots (A) on the back of the device or cradle to the dual T-tabs (B) on the dual-T to 4-hole AMPS adapter plate. The Arkon SM020-2 Mobile Phone Cradle is shown in the diagram below. (Not included, sold separately.)



Safety Precautions

Do not install Arkon products over an air bag cover or within the air bag deployment zone. Arkon Resources, Inc. assumes no responsibility of liability for injury or death as a result of car crashes and/or air bag deployment.

Arkon is not responsible for any damages caused to your car, your device, or yourself due to the installation or use of this pedestal mount.

ARKON
RESOURCES INC.

The Mobile Mounting Specialists™

Consumer Hotline:

USA (800) 841-0884

INT'L (626) 254-9005

Monday - Friday 9 am - 5 pm, PST

www.arkon.com

Arcadia, CA 91006 USA

Designed in USA | Made in Taiwan

© Copyright 2008 Arkon Resources, Inc.